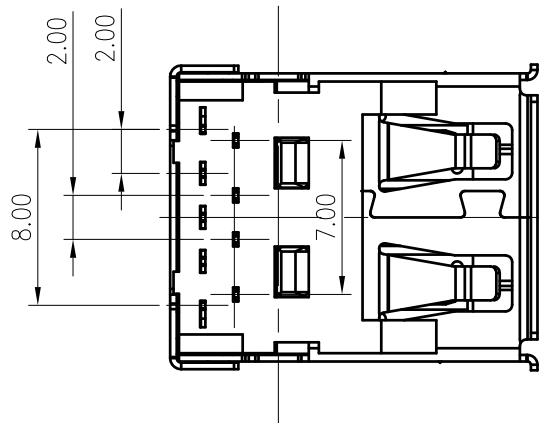
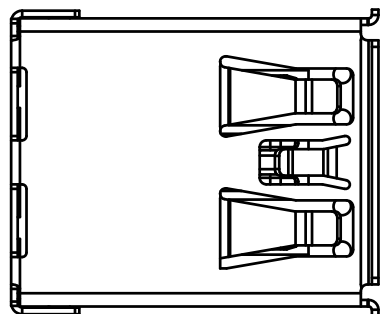


RoHS
COMPLIANT



NOTE:

1.MATERIAL:

- 1.1 INSULATOR:HIGH TEMPERATURE PLASTIC
- 1.2 CONTACT:BRONZE
- 1.3 SHELL:BRASS

2.ELECTRICAL CHARACTERISTICS;

- 2.1 CONTACTRESISTANCE:30mΩ MAX
- 2.2 CONTACT CURRENT RATING:1.5A
- 2.3 DIELECTRIC WITHSTANDING VOLTAGE:100 V R.M.S.
- 2.4 INSULATION RESISTANCE 100 MΩ MIN
- 2.5 OPERATING TEMPEROTURE:-20°C ~ 60°C

3 MECHANICAL CHARACTERISTICS:

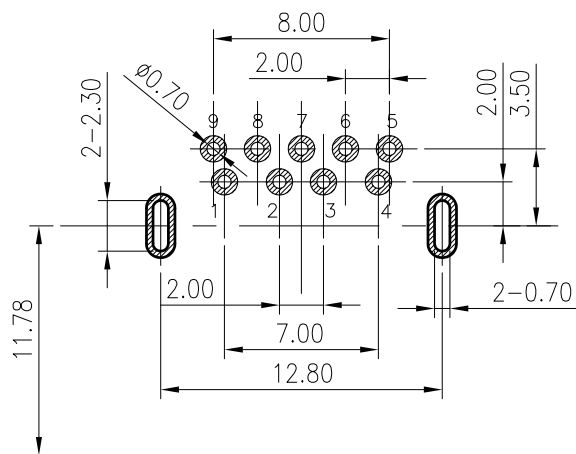
- 3.1 MATING FORCE:3.57kgf MAX
- 3.2 UNMATING FORCE:1.02kgf MIN
- 3.3 DURABILITY:MANDATORY:1,500 CYCLES

4.PLATING

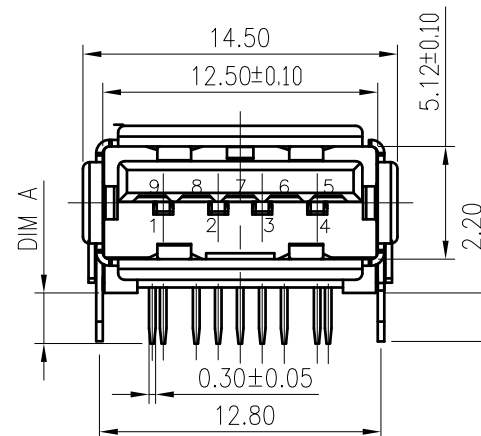
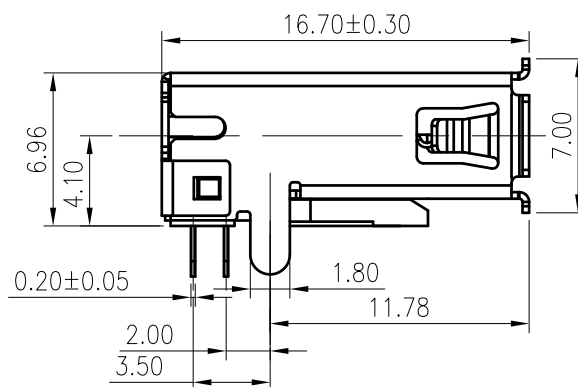
4.1 TERMINAL:

- 50u" MIN NICKEL ALL OVER
- 80u"MIN Tin ON SOLDER AREA
- (1~30)u"Au ON CONTACT AREA

4.2 SHELL:80u"MIN.NICEL ALL OVER



Recommended P.C.B. Layout
Total tolerance:±0.05mm



Pin NUMBER	SIGNAL NAME
1	VBUS
2	D-
3	D+
4	GND
5	StdA_SSRX-
6	StdA_SSRX+
7	GND_DRAIN
DIMA 8	StdA_SSTX-
2.10 9	StdA_SSTX+
2.30	Shell Shield



MARK

TOLERANCE

- X.X ±0.30
- X.XX ±0.20
- X.XXX ±0.10
- Angle ±2°

TITLE:

USB 3.0 AF 90° L=16.70
H=6.96 Terminal
gold-plated G-F,Crimped
edge

UNIT:mm

SCALE:N/A

DRAWN:

7/17 2023.10.17

CHECKED:

APPROVED:

SHEET:1/2

PROJECTION

REV.:A01

KONNRA 东莞市康瑞电子有限公司
DongGuan Konnra Electronics Co.,Ltd.

PART NO.:U03S0005B

DRAWING NO.:U03S0005B-Q