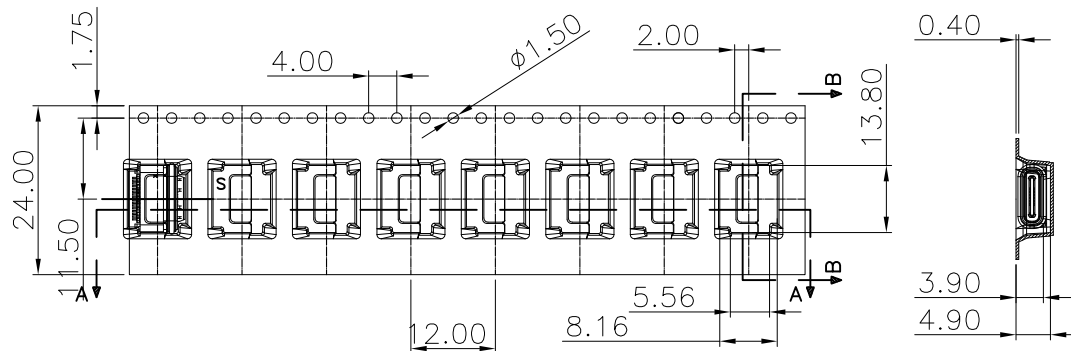
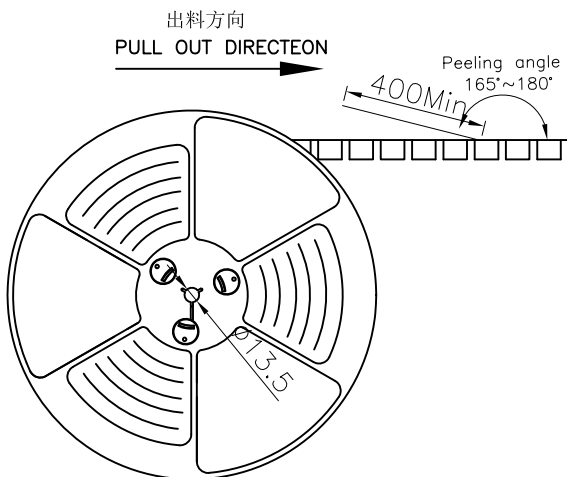


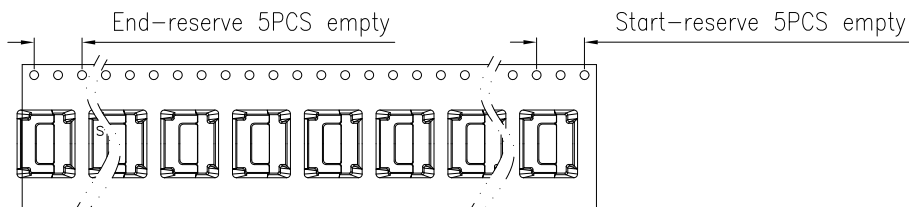
RoHS  
COMPLIANT



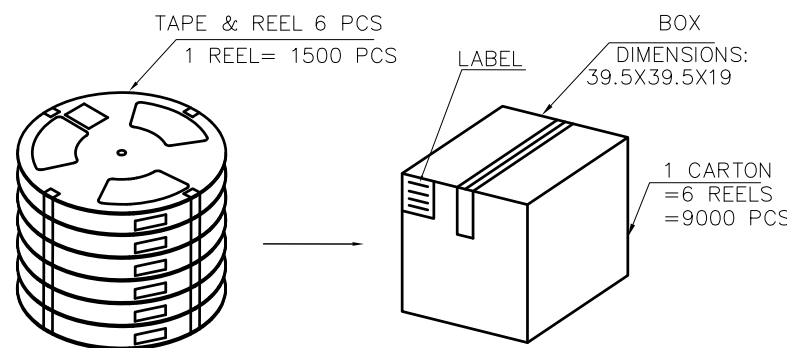
NOTES

1. 帶子引導長度  
LEAD TAPE LENGTH  
出料方向  
PULL OUT DIRECTEON

出料方向  
PULL OUT DIRECTEON



2. 上帶 剝力力為: 0.1~1.3N(10.2gf~130gf)  
PEELING OFF FORCE OF TOP TAPE:0.1~1.3N(10.2gf~130gf)  
出貨運輸過程中一定注意:  
THIS REQUIREMENT SHOULD BE APPLIED AT SHIPMENT:  
卷帶在運輸過程中不能散開  
PEELING OFF SHOULD NOT BE ALLOWED DURING TRANSPORTATION



|   |      |                      |           |      |             |                            |                        |                                      |          |                         |
|---|------|----------------------|-----------|------|-------------|----------------------------|------------------------|--------------------------------------|----------|-------------------------|
| F | △A03 |                      |           |      | TOLERANCE   | TITLE:                     | DRAWN: 7/17 2023.10.17 | KONNRA 东莞市康瑞电子有限公司                   |          |                         |
|   | △A02 |                      |           |      | X.X ±0.30   | TYPE-C 16P Waterproof      | CHECKED:               | DongGuan Konnra Electronics Co.,Ltd. |          |                         |
|   | △A01 |                      |           |      | X.XX ±0.20  | female socket L=6.50       | APPROVED:              | PART NO.:U04S0017R                   |          |                         |
|   | MARK | REVISION DESCRIPTION | SIGNATURE | DATE | X.XXX ±0.10 | Board in Terminal SMT(WP8) | SHEET: 1/3             | PROJECTION                           | REV.:A01 | DRAWING NO.:U04S0017R-P |
|   | 1    | 2                    | 3         | 4    | Angle ±2°   | UNIT:mm                    | SCALE:N/A              | 7                                    | 8        | 9                       |