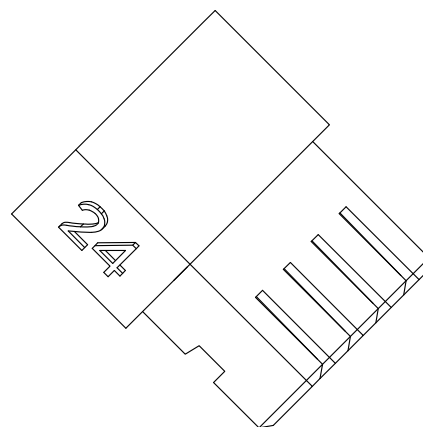
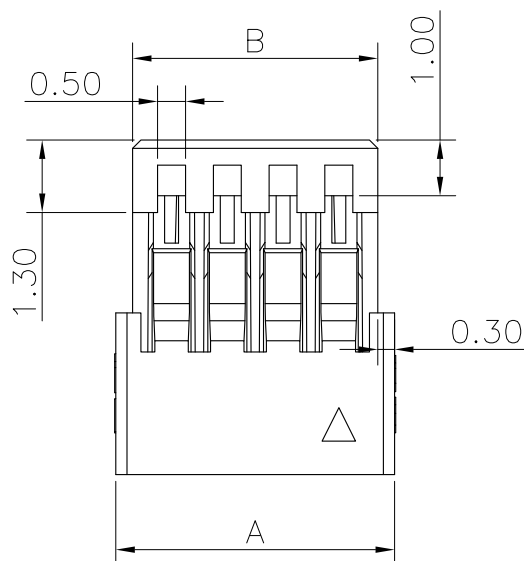
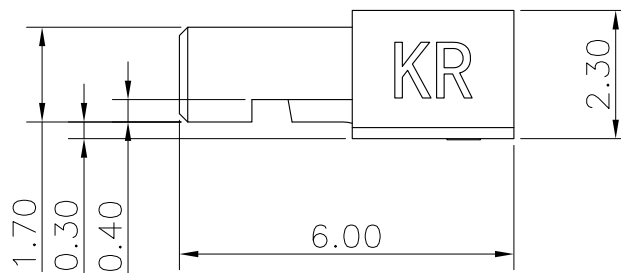
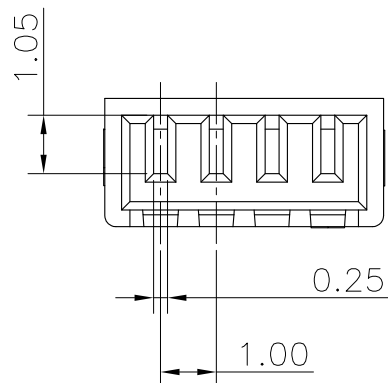


RoHS
COMPLIANT



◆ SPECIFICATIONS

- Current rating: 1A AC, DC
- Voltage rating: 50V AC, DC
- Temperature range: -40°C ~ +105°C
- Insulation resistance: 100MΩ Min.
- Withstanding voltage: 500V AC/ minute.
- Contact resistance: 20mΩ Max.

Material:

Insulator: PA66 UL 94V-0

Circuits: 2~20

Suitable: KR1000 series Terminal

Ordering code:

H100501**0102A

102=2P
103=3P

△A05		
16P	17.00	16.40
15P	16.00	15.40
14P	15.00	14.40
13P	14.00	13.40
12P	13.00	12.40
11P	12.00	11.40
△A04		
10P	11.00	10.40
9P	10.00	9.40
8P	9.00	8.40
7P	8.00	7.40
6P	7.00	6.40
5P	6.00	5.40
4P	5.00	4.40
3P	4.00	3.40
2P	3.00	2.40
Circuits	A	B

Dimensions

MARK	REVISION DESCRIPTION	SIGNATURE	DATE	TOLERANCE	TITLE:	UNIT:mm	SCALE:1/1	SHEET:1/1	PROJECTION	REV.:A05	DRAWING NO.:1005H102-A-S
△A05	Add 11~16pin specification	ZSZ	2024.03.20	X.X ±0.30 X.XX ±0.20 X.XXX ±0.10 Angle ±2°	SHU1.0 No buckle Housing				DRAWN: 72X 2021.08.25	KONNRA 东莞市康瑞电子有限公司 DongGuan Konnra Electronics Co.,Ltd.	PART NO.:H100501**0102A
△A04	Add 10pin specification	ZSZ	2021.11.04								
△A03	Uniformly arrange the drawings	Shen	2021.08.25								