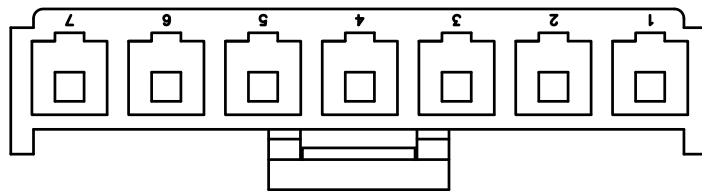
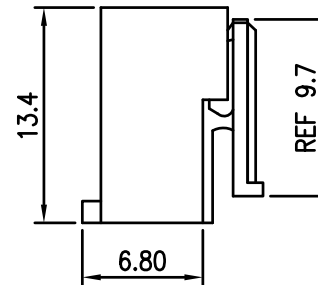
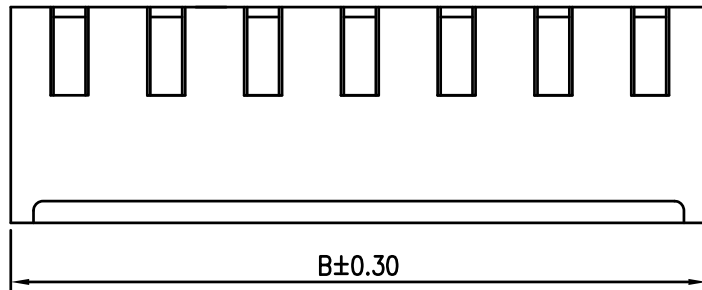
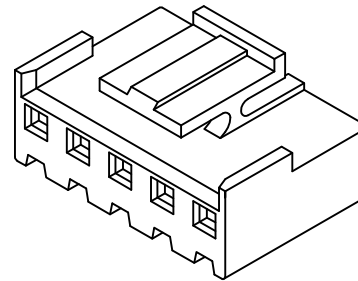
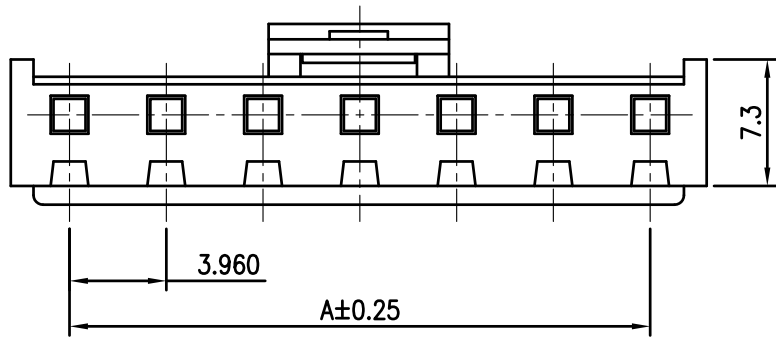


RoHS
COMPLIANT



SPECIFICATIONS

1. Current rating: 7A AC, DC
2. Voltage rating: 250V AC, DC
3. Temperature range: -40°C ~ +105°C
4. Insulation resistance: 1000MΩ/ min.
5. Withstanding voltage: 1500V AC/ minute.
6. Contact resistance: 20mΩ/ max.

Material: PA66 UL94V-0
Suitable KR3961 series terminal
Mate with KR3961 series wafer

Ordering Code:

H39610 xxx 01 01A

No. of Circuits
102:2, 116:16

Insulator Material
01: PA66 White V0

Circuits	Dimensions		Circuits	Dimensions	
	A	B		A	B
2	3.96	7.92	10	35.64	39.60
3	7.92	11.88	11	39.60	43.56
4	11.88	15.84	12	43.56	47.52
5	15.84	19.80	13	47.52	51.48
6	19.80	23.76	14	51.48	55.44
7	23.76	27.72	15	55.44	59.40
8	27.72	31.68	16	59.40	63.36
9	31.68	35.64			



Change the part number and frame format

Arvin

2020.05.08

TOLERANCE
X.X ±0.30
X.XX ±0.20
X.XXX ±0.10
Angle ±2°

TITLE:
VH3.96 Housing

DRAWN: Arvin 2020.05.08

CHECKED:

APPROVED:

KONNRA 东莞市康瑞电子有限公司
DongGuan Konnra Electronics Co., Ltd.

PART NO.: H39610***0101A

MARK

REVISION DESCRIPTION

SIGNATURE

DATE

UNIT: mm

SCALE: N/A

SHEET: 1/1

PROJECTION

REV.: A2

DRAWING NO.: 3961H101-A-S

1

2

3

4

5

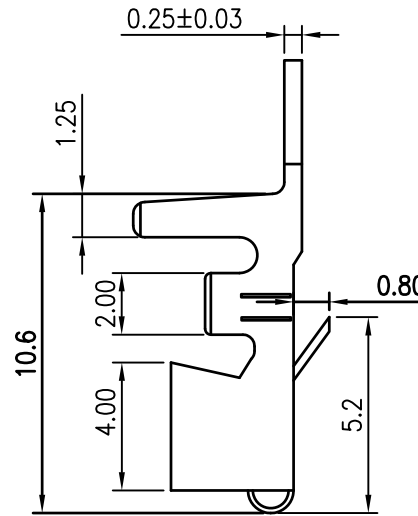
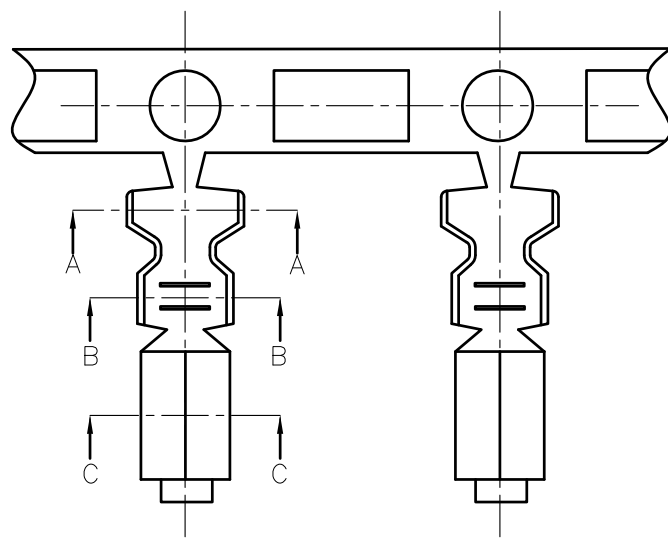
6

7

8

9

RoHS
COMPLIANT



SPECIFICATIONS

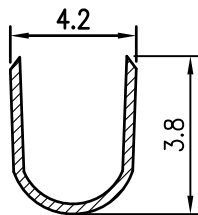
1. Current rating: 7A AC, DC
2. Voltage rating: 250V AC, DC
3. Temperature range: -40°C ~ +105°C
4. Insulation resistance: 1000MΩ/ min.
5. Withstanding voltage: 1500V AC/ minute.
6. Contact resistance: 20mΩ/ max.

Material: Phosphor Bronze/Tin plated over nickel
Applicable wires: AWG #18~#22

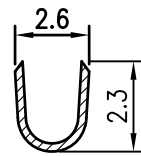
Insulation O.D 2.8mm Max.

Suitable KR3961 series terminal

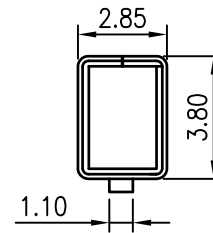
Qty/reel: 3,000PCS



SECTION A-A



SECTION B-B



SECTION C-C



MARK

Change the part number and frame format

Arvin

2020.05.08

TOLERANCE

X.X ±0.30

X.XX ±0.20

X.XXX ±0.10

Angle ±2°

TITLE:
VH3.96 Terminal

UNIT:mm

SCALE:N/A

DRAWN: Arvin 2020.05.08

CHECKED:

APPROVED:

SHEET: 1/1

PROJECTION

KONNRA 东莞市康瑞电子有限公司

DongGuan Konnra Electronics CO.,LTD

PART NO.: T39610PT0101A

VER.: A2

DRAWING NO.: 3961T101-A-S

1

2

3

4

5

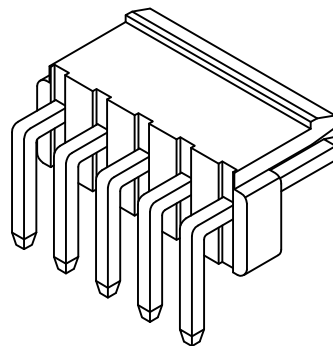
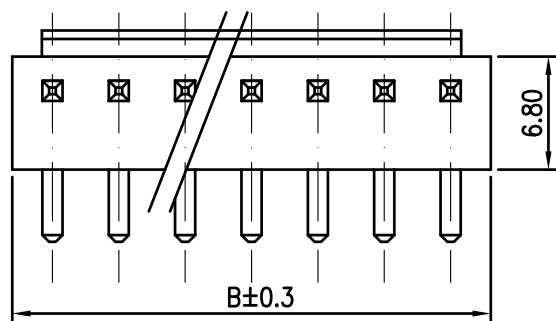
6

7

8

9

RoHS
COMPLIANT



SPECIFICATIONS

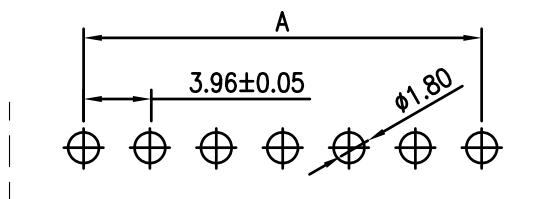
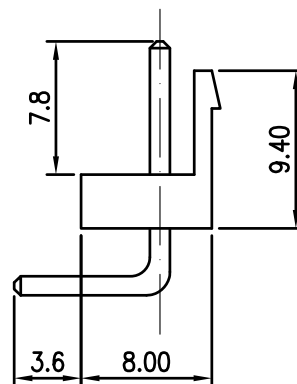
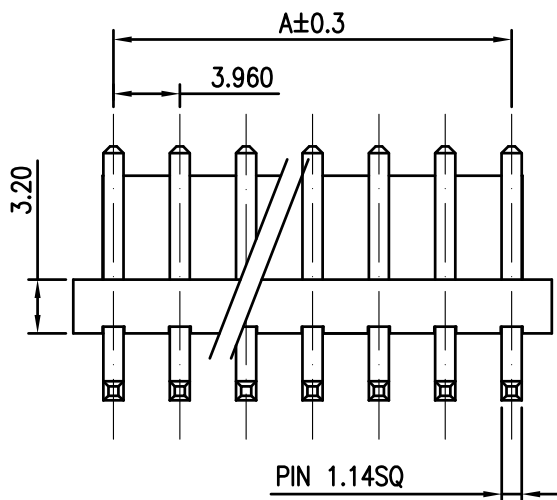
1. Current rating: 7A AC, DC
2. Voltage rating: 250V AC, DC
3. Temperature range: -40°C ~ +105°C
4. Insulation resistance: 1000MΩ/ min.
5. Withstanding voltage: 1500V AC/ minute.
6. Contact resistance: 20mΩ/ max.

Material:

Insulator: PA66 UL94 V-0
 Contact: Brass
 Plating: Tin plated over Nickel
 Mate With KR3961 Series Housing

Ordering Code:

C3961RD xxx 01 T01 01PA
 No. of Circuits 102:2,116:16 Plating T01: Tin plated
 Insulator Material 01: PA66 White V0



Recommended P.C.B. Layout
 Total tolerance: ±0.05mm

Circuits	Dimensions		Circuits	Dimensions	
	A	B		A	B
2	3.96	7.92	10	35.64	39.60
3	7.92	11.88	11	39.60	43.56
4	11.88	15.84	12	43.56	47.52
5	15.84	19.80	13	47.52	51.48
6	19.80	23.76	14	51.48	55.44
7	23.76	27.72	15	55.44	59.40
8	27.72	31.68	16	59.40	63.36
9	31.68	35.64			



Change the part number and frame format

Arvin 2020.05.08

TOLERANCE
 X.X ±0.30
 X.XX ±0.20
 X.XXX ±0.10
 Angle ±2°

TITLE:
 VH3.96 DIP 90°
 Wafer

DRAWN: Arvin 2020.05.08

CHECKED:

APPROVED:

KONNRA 东莞市康瑞电子有限公司
 DongGuan Konnra Electronics Co.,Ltd.

PART NO.: C3961RD***01T0101PA

MARK

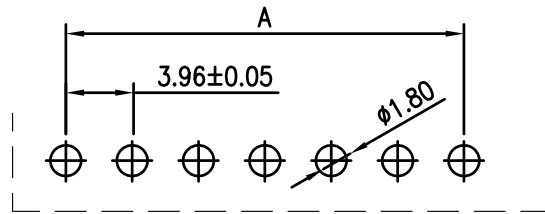
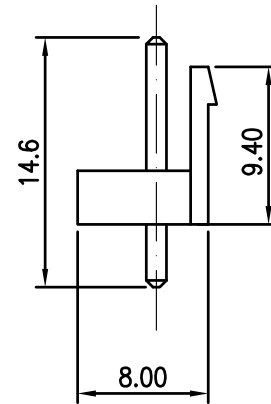
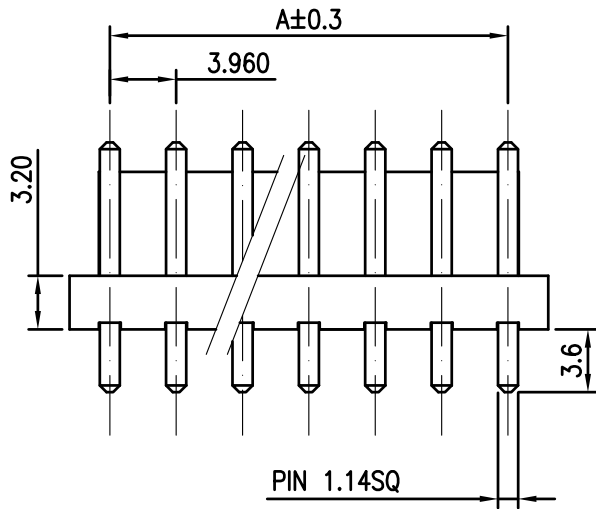
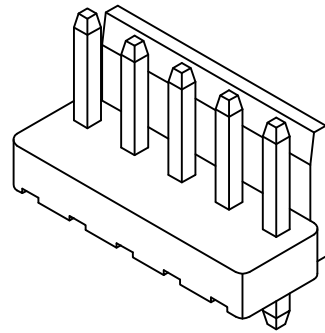
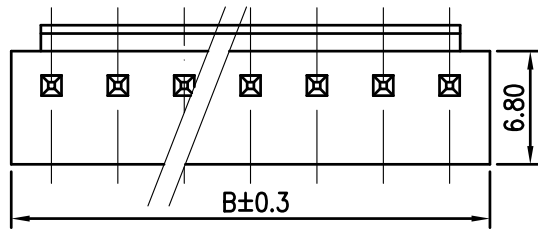
REVISION DESCRIPTION SIGNATURE DATE

UNIT:mm SCALE:N/A

SHEET: 1/1 PROJECTION

REV.: A2 DRAWING NO.: 3961WRD101-A-S

RoHS
COMPLIANT



Recommended P.C.B. Layout
Total tolerance:±0.05mm

SPECIFICATIONS

1. Current rating: 7A AC, DC
2. Voltage rating:250V AC,DC
3. Temperature range: -40°C ~ +105°C
4. Insulation resistance: 1000MΩ/ min.
5. Withstanding voltage: 1500V AC/ minute.
6. Contact resistance: 20mΩ/ max.

Material:

Insulator: PA66 UL94 V-0
Contact: Brass
Plating: Tin plated over Nickel
Mate With KR3961 Series Housing

Ordering Code:

C3961VD xxx 01 T01 01PA
No.of Circuits 102:2,116:16
Insulator Material 01:PA66 White V0
Plating T01: Tin plated

Circuits	Dimensions		Circuits	Dimensions	
	A	B		A	B
2	3.96	7.92	10	35.64	39.60
3	7.92	11.88	11	39.60	43.56
4	11.88	15.84	12	43.56	47.52
5	15.84	19.80	13	47.52	51.48
6	19.80	23.76	14	51.48	55.44
7	23.76	27.72	15	55.44	59.40
8	27.72	31.68	16	59.40	63.36
9	31.68	35.64			



MARK

Change the part number and frame format

Arvin

2020.05.08

TOLERANCE
X.X ±0.30
X.XX ±0.20
X.XXX ±0.10
Angle ±2°

TITLE:
VH3.96 DIP 180°
Wafer

DRAWN: Arvin 2020.05.08

CHECKED:

APPROVED:

KONNRA 东莞市康瑞电子有限公司
DongGuan Konnra Electronics Co.,Ltd.

PART NO.:C3961VD***01T0101PA

UNIT:mm SCALE:N/A

SHEET:1/1

PROJECTION

REV.:A2

DRAWING NO.:3961WVD101-A-S

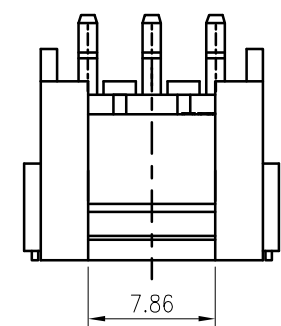
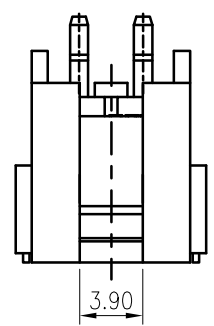
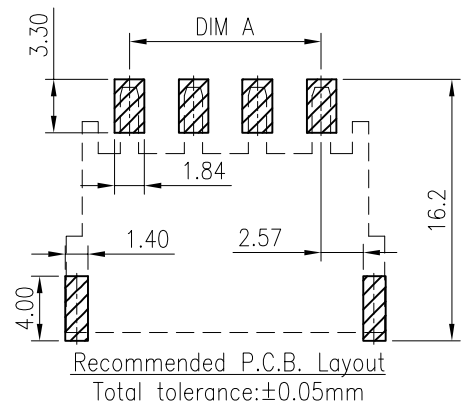
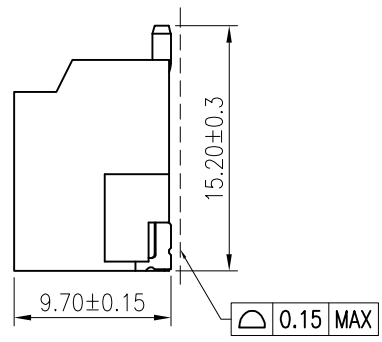
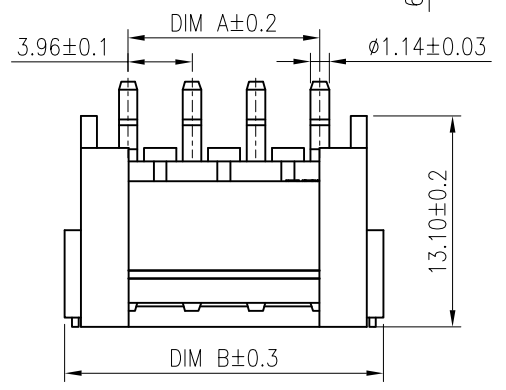
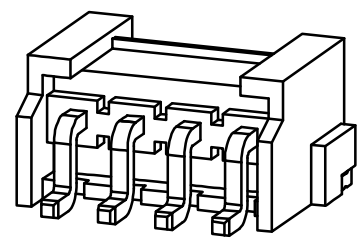
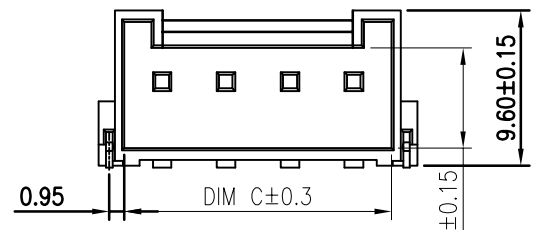
RoHS
COMPLIANT

- SPECIFICATIONS**
1. Current rating: 3A AC, DC
 2. Voltage rating: 250V AC, DC
 3. Temperature range: -40°C ~ +105°C
 4. Insulation resistance: 1000MΩ/ min.
 5. Withstanding voltage: 1000V AC/ minute.
 6. Contact resistance: 20mΩ/ max.

Material:
 Insulator: PA9T UL 94V-0
 Contact: Brass
 Solder Nail: Brass
 Plating: Tin plated over Nickel
 Circuits: 2~10
 Mate With KR3961 Series Housing

Ordering Code:
 C3961RS *** 11 T01 01RD
 No. of Circuits | Plating
 102:02, 110:10 | T01: Tin plated
 Insulator Material
 11: PA9T Natural

Circuits	Dimensions		
	A	B	C
2	3.96	11.88	8.60
3	7.92	15.84	12.56
4	11.88	19.80	16.52
5	15.84	23.76	20.48
6	19.80	27.72	24.44
7	23.76	31.68	28.40
8	27.72	35.64	32.36
9	31.68	39.60	36.32
10	35.64	43.56	40.28



F	△4				TOLERANCE X. X ± 0.30 X. XX ± 0.20 X. XXX ± 0.10 Angle ± 2°	TITLE: VH3. 96 SMT 90° Wafer	DRAWN: Arvin 2020.03.05		KONNRA 东莞市康瑞电子有限公司 DongGuan Konnra Electronics Co., Ltd. PART NO.: C3961RS***11T0101RD REV.: A3 DRAWING NO.: 3961WRS101-D-S
	△3	Uniformly arrange the drawings	ZSZ	2022.01.08			CHECKED:		
	△2	Change the part number and frame format	Arvin	2020.05.08			APPROVED:		
	MARK	REVISION DESCRIPTION	SIGNATURE	DATE			UNIT: mm	SCALE: N/A	
	1	2	3	4	5	6	7	8	9