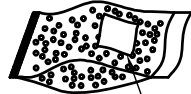
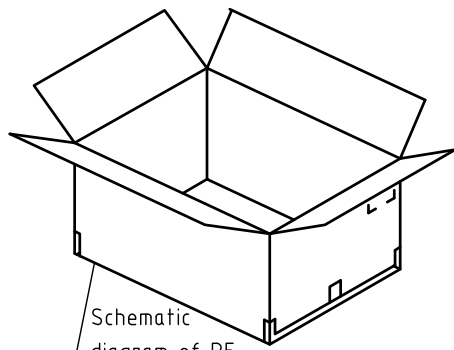


Step 1: Place Housing into PE bag and seal PE bag. Label.  
将 Housing放入PE袋内, 并将PE袋封好, 贴上标签.

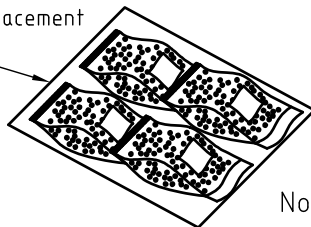
Step 3: Put PE bag packed products in cartons,  
Packing detail see the table right  
将装好产品的PE袋放入纸箱内, 详细包装见右表



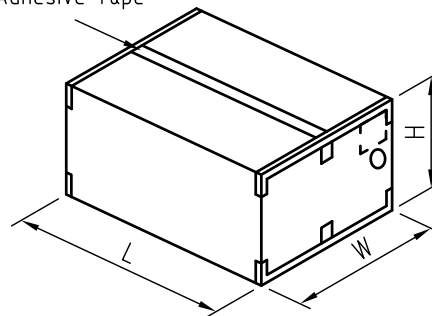
Label



Schematic diagram of PE bag placement



Adhesive Tape



Step 2: Put PE bag packed products in cartons,  
Packing detail see the table right  
将装好产品的PE袋放入纸箱内, 详细包装见右表

Note注解:

1. There shall be no dirt such as deformation phenomenon, Mantissa box fillers must be used  
每箱不可有脏污, 变形现象, 尾数箱必须用填充物
2. Confirm whether the inner and outer labels are missing and the content must be consistent with the actual product  
确认内外标签有无漏失, 内容与实物必须一致
3. Packing quantity per carton depends on order and delivery quantity  
每箱包装数量依订单及交货数量而定

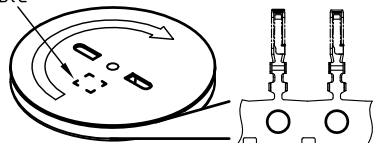
Circuits	PCS/Bag
2	1000
3	1000
4	1000
5	1000
6	1000
7	1000
8	1000
9	1000
10	1000
11	1000
12	1000
13	1000
14	1000
15	1000
16	1000
17	1000
18	1000
19	1000
20	1000

	SPEC.	Remark
Carton 1	L460mm×W460mm×H510mm	Use the appropriate carton size according to the actual order quantity 根据实际订单数量使用合适的纸箱尺寸
Carton 2	L500mm×W500mm×H305mm	
Carton 3	L580mm×W580mm×H320mm	

F					TOLERANCE	TITLE:	DRAWN: <i>Arwin 2020.03.05</i>	<b>KONNRA</b> 东莞市康瑞电子有限公司 DongGuan Konnra Electronics Co.,Ltd. PART NO.: H12530****01A		
					X.X ±0.30	MX1.25 Ultra-thin	CHECKED:			
					X.XX ±0.20	Housing Package	APPROVED:			
MARK	REVISION DESCRIPTION	SIGNATURE	DATE	Angle ±2°	UNIT:mm	SCALE:N/A	SHEET:1/1	PROJECTION	REV.:A1	DRAWING NO.:1253H01-A-P

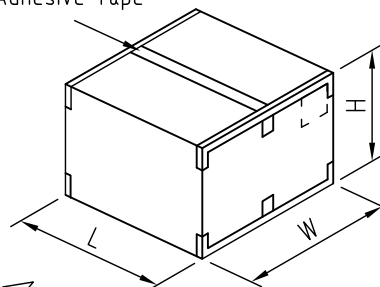
**RoHS**  
COMPLIANT

Lable

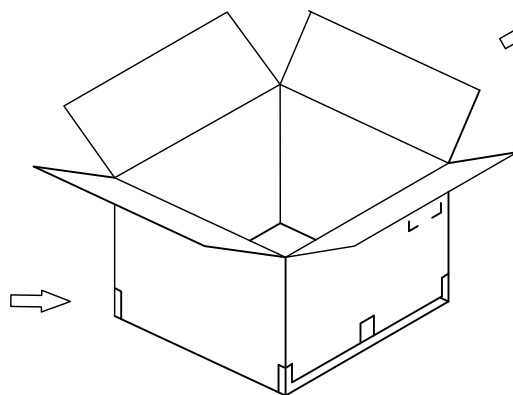
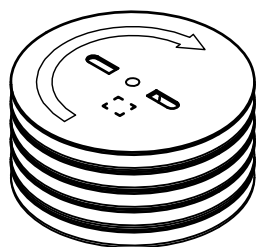


线夹朝上 (Clamp facing up)

Adhesive Tape



Package way



Note注解:

1. There shall be no dirt such as deformation phenomenon, Mantissa box fillers must be used  
每箱不可有脏污，变形现象，尾数箱必须用填充物
2. Confirm whether the inner and outer labels are missing and the content must be consistent with the actual product  
确认内外标签有无漏失，内容与实物必须一致
3. Quantity(数量): 20K PCS/REEL (20K PCS/盘)  
Packing quantity per carton depends on order and delivery quantity  
每箱包装数量依订单及交货数量而定

	SPEC.	Remark
Carton 1	L460mm×W460mm×H510mm	Use the appropriate carton size according to the actual order quantity 根据实际订单数量使用合适的纸箱尺寸
Carton 2	L500mm×W500mm×H305mm	
Carton 3	L580mm×W580mm×H320mm	



MARK

REVISION DESCRIPTION

SIGNATURE

DATE

TOLERANCE

X.X ±0.30

X.XX ±0.20

X.XXX ±0.10

Angle ±2°

TITLE:  
MX1.25 Ultra-thin  
Terminal Package  
Specification

UNIT:mm

SCALE:N/A

DRAWN: Arwin 2020.03.05

CHECKED:

APPROVED:

SHEET:1/1

PROJECTION

**KONNRA** 东莞市康瑞电子有限公司  
DongGuan Konnra Electronics Co.,Ltd.

PART NO.:T12530P\*\*\*01A

REV.:A1 DRAWING NO.:1253T01-A-P

1

2

3

4

5

6

7

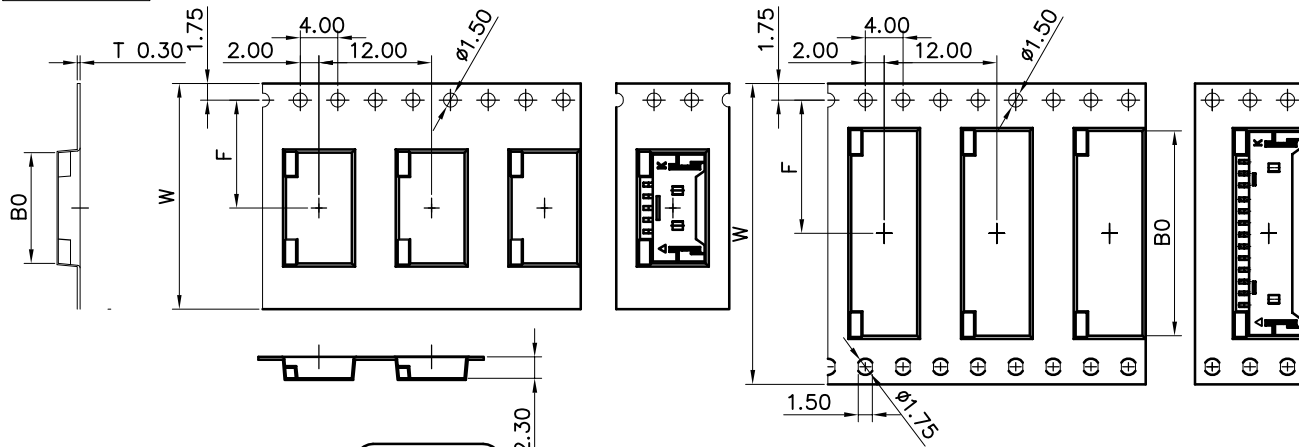
8

9

RoHS  
COMPLIANT

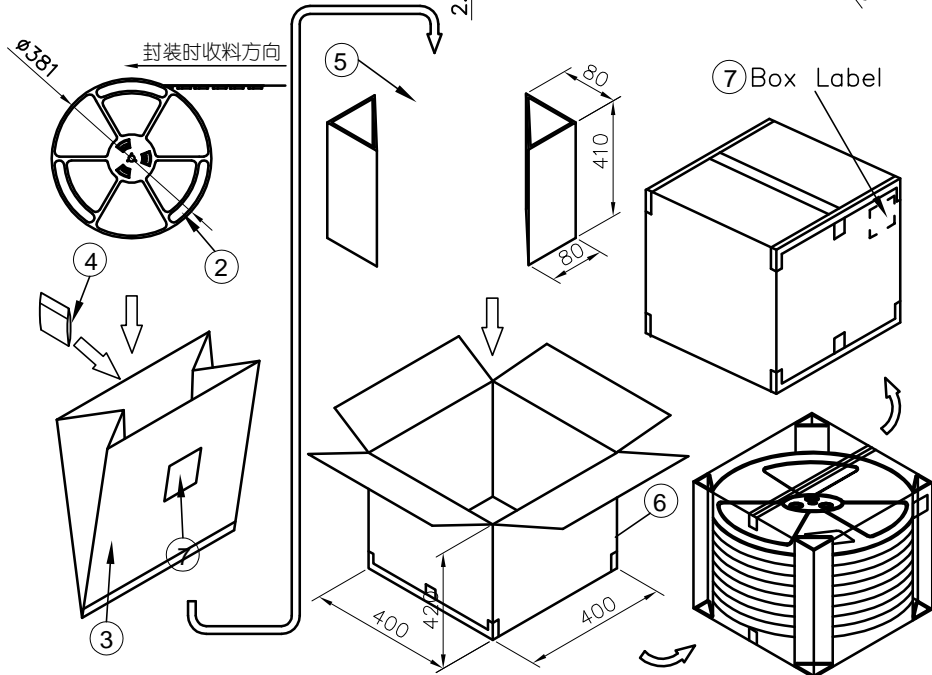
2P-8P

9P-20P



NO.	NAME	SPEC.	Q'TY
①	PRODUCT	MX1.25超薄 SMT 90°WF系列	3000 PCS/R
②	卷盘/载带	--	1SET
③	透明真空袋	550×500×0.10mm	1PCS/Reel
④	干燥剂	--	1PCS/Reel
⑤	三角纸板	410×80×80mm	2PCS
⑥	纸箱	400×400×420mm	1PCS
⑦	标签	--	2PCS

CKT.	DIMENSIONS			Q'ty/BOX
	W±0.3	B0±0.3	F±0.3	
2-4	16.0	8.05-9.30	7.50	19*3000
5-8	24.0	10.55-15.55	11.50	14*3000
9-12	32.0	10.55-20.55	14.20	11*3000
15-20	44.0	24.30-30.50	20.20	8*3000



包装方式:

- 产品按要求放入载带卷盘(参考《产品卷带包装对照表》),需测试上带剥离力(剥离角度: 165~180°; 剥离速度: 300±10mm/min):  
1.1 W=12~56,剥离力0.1N~1.3N;  
1.2 W=72以上,剥离力0.1N~1.5N;
- 产品卷盘包装后,进行抽真空作业(每袋内装入1PCS干燥剂),依要求贴上标签;
- 将三角纸板放入纸箱固定,再将真空包装好的产品放入纸箱内,之后用胶带封箱,并在外箱相应位置贴上标签(若卷盘数量不够整箱,纸箱和三角板高度依实际包装适量修剪或填充).



TOLERANCE

X.X ±0.30  
X.XX ±0.20  
X.XXX ±0.10  
Angle ±2°

TITLE:

MX1.25超薄 SMT 90°  
Wafer 系列  
包装规范

DRAWN: Arvin 2021.03.05

CHECKED:

APPROVED:

KONNRA 东莞市康瑞电子有限公司

DongGuan Konnra Electronics Co., Ltd.

PART NO.: C1253RS\*\*\*09G0101RA

MARK REVISION DESCRIPTION SIGNATURE DATE UNIT: mm SCALE: N/A SHEET: 1/1 PROJECTION REV.: A1 DRAWING NO.: 1253WRS101-A-P

1 2 3 4 5 6 7 8 9