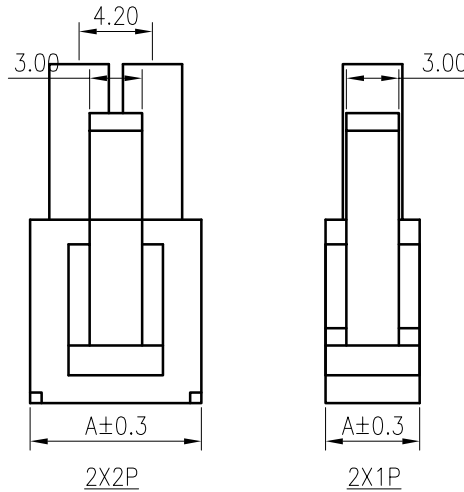
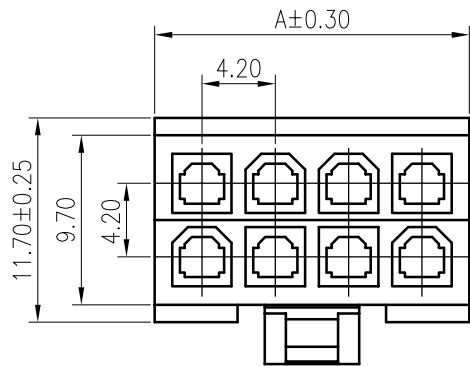


RoHS
COMPLIANT



SPECIFICATIONS

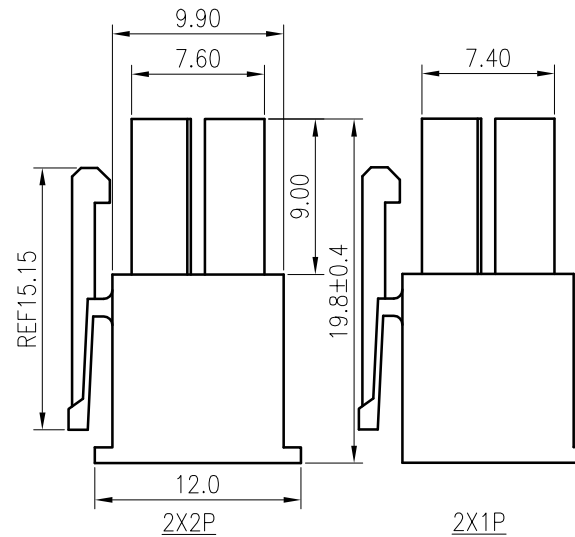
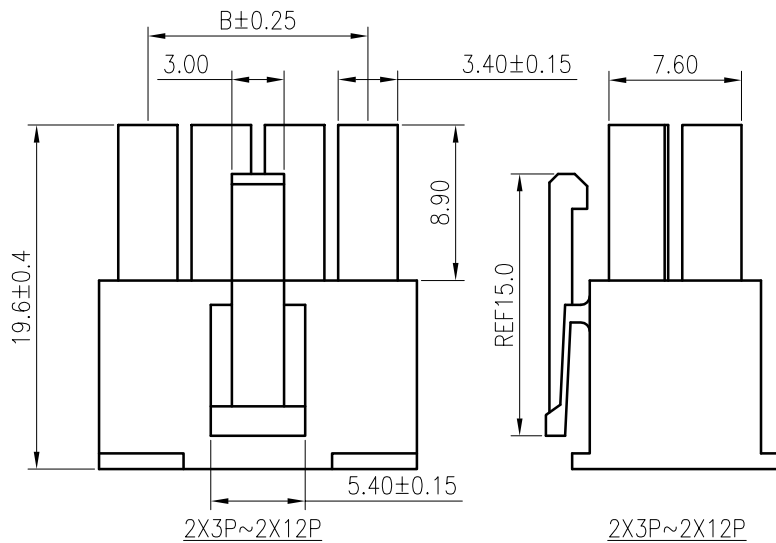
1. Current rating: 9A(2P AWG#16) AC, DC
2. Voltage rating:600V AC,DC
3. Temperature range: -40°C ~ +105°C
4. Insulation resistance: 1000MΩ/ min.
5. Withstanding voltage: 1500V AC/ minute.
6. Contact resistance: 10mΩ/ max.

Material: Nylon 66 UL94 V-2 or V-0
Suitable KR4200 series female terminal
Mate with KR4200 series double row female housing or wafer

Ordering Code:

H4200M *** ** 01A

No. of Circuits
201:2x1,212:2x12
Insulator Material
01:PA66 White V0
02:PA66 Black V0
04:PA66 Black V2
16:PA66 Transparent V2
38:PA66 Blue V2
39:PA66 Green V2



Circuits	Dimensions		Circuits	Dimensions	
	A	B		A	B
2x1	5.50		2x7	30.70	25.20
2x2	9.70	4.20	2x8	34.90	29.40
2x3	13.90	8.40	2x9	39.10	33.60
2x4	18.10	12.60	2x10	43.30	37.80
2x5	22.30	16.80	2x11	47.50	42.00
2x6	26.50	21.00	2x12	51.70	46.20

△7				
△6				
△5	Uniformly arrange the drawings	ZSZ	2022.01.16	
MARK	REVISION DESCRIPTION	SIGNATURE	DATE	

TOLERANCE
X.X ±0.30
X.XX ±0.20
X.XXX ±0.10
Angle ±2°

TITLE:
MK4.2 Double Row
Male Housing

DRAWN: Arvin 2020.03.25

CHECKED:

APPROVED:

KONNRA 东莞市康瑞电子有限公司
DongGuan Konnra Electronics Co., Ltd.

PART NO. : H4200M xxx xx01A

UNIT: mm **SCALE:** N/A **SHEET:** 1/1 **PROJECTION:** **REV. :** A5 **DRAWING NO. :** 4200HM01-A-S