

RoHS
COMPLIANT

SPECIFICATIONS

1. Current rating: 3.0A AC, DC
2. Voltage rating: 250V AC, DC
3. Temperature range: -40°C ~ +105°C
4. Insulation resistance: 1000MΩ/ min.
5. Withstanding voltage: 1000V AC/ minute.
6. Contact resistance: 20mΩ/ max.

Material:

Insulator: Plastic(PA66)

Contact: BRASS(C2700R-H)

Plating: 1um MIN Matte Tin plated over Nickel

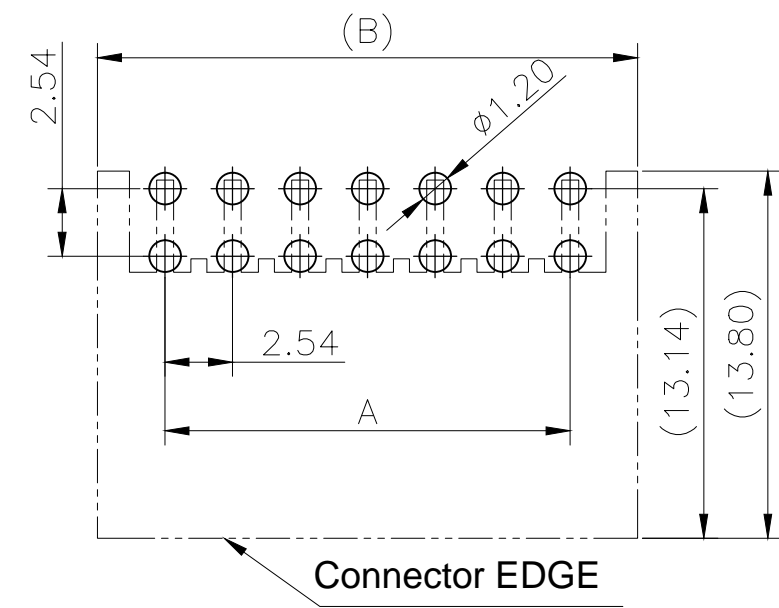
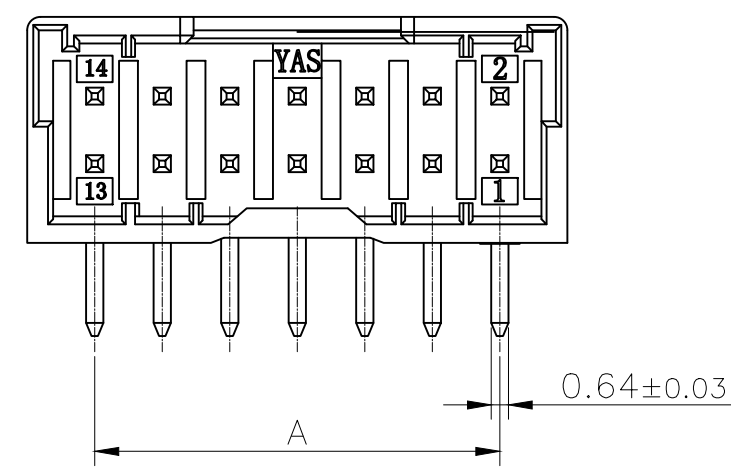
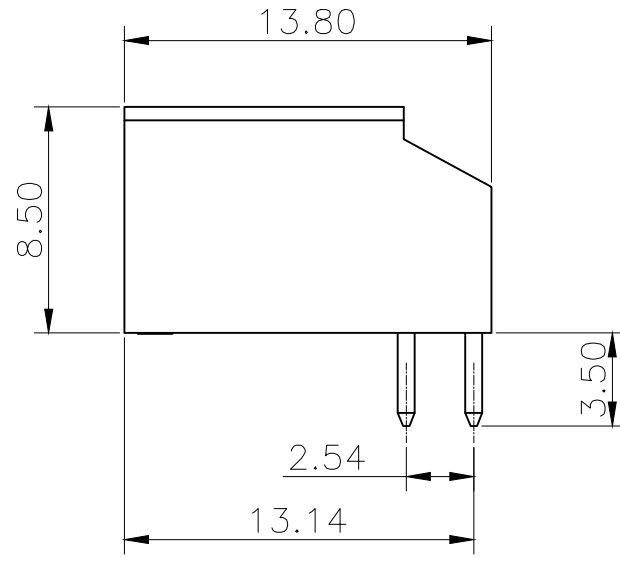
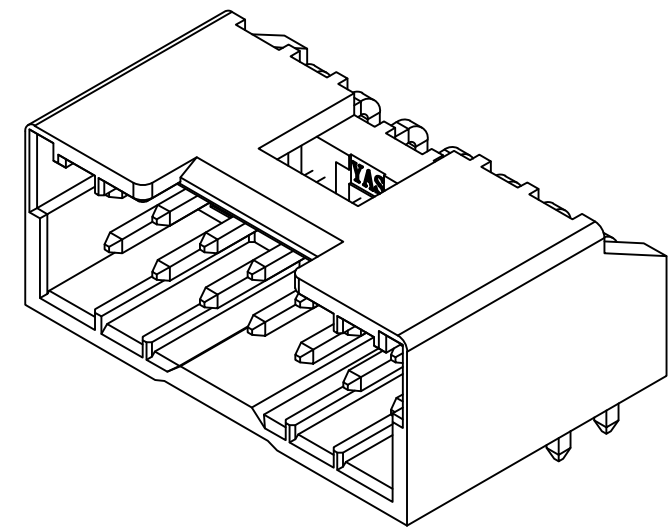
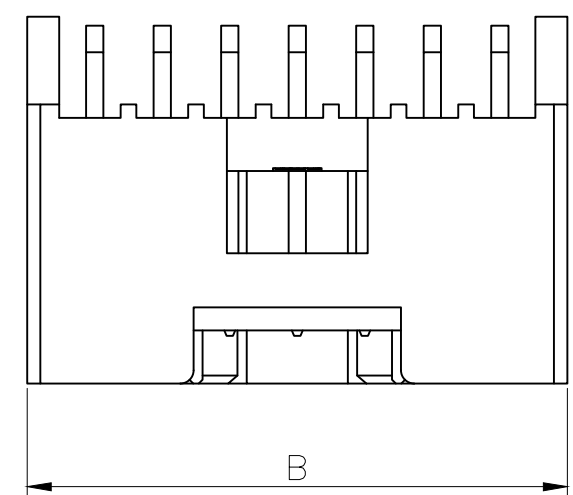
Circuits: SEE TABLE

Mates With KR2548 Series Dual Row Housing

Ordering Code: C2548RD2xx02T0101PA

204=2*4P
205=2*5P

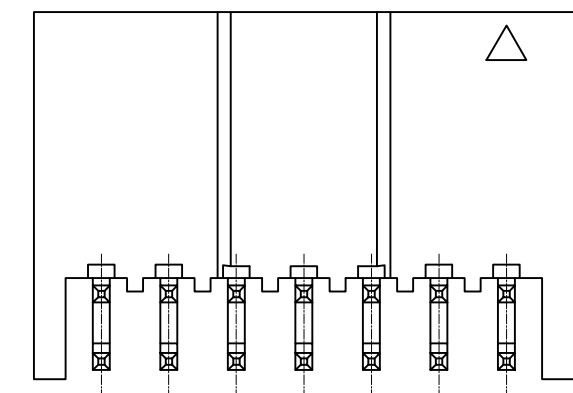
P:BAG
02:PA66 BLACK
01:PA66 WHITE



Recommended P.C.B. Layout
Total tolerance: ±0.05mm

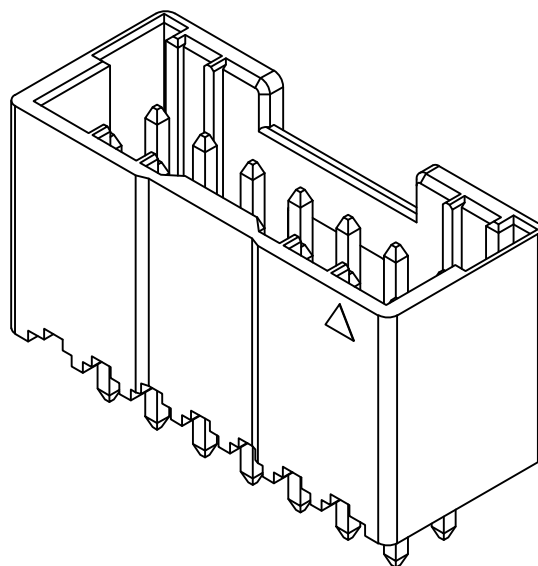
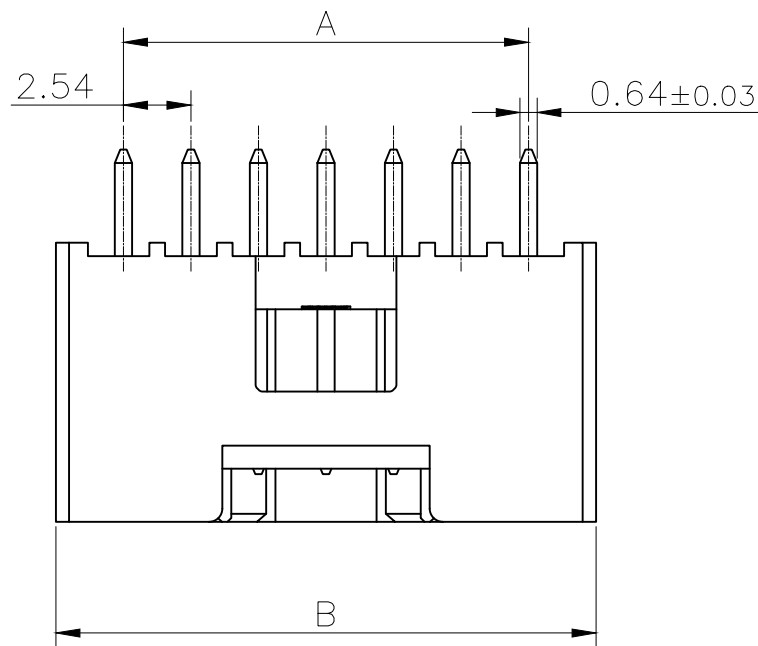
TABLE:

Pin	Dimension		
	A	B	LOGO
2*4P	7.62	12.70	KR
2*5P	10.16	15.24	KR
2*6P	12.70	17.78	KR
2*7P	15.24	20.32	YAS
2*8P	17.78	22.86	KR
2*9P	20.32	25.40	KR
2*10P	22.86	27.94	KR



F		Add anti-dormant ribs at the mouth of the frame	Shen	2023.02.03	TOLERANCE X.X ±0.30 X.XX ±0.20 X.XXX ±0.10 Angle ±2°	TITLE: PH2.54 DUAL ROW DIP 90° WF	DRAWN: Shen 2022.10.31		KONNRA® 东莞市康瑞电子有限公司		
		Add anti-dormant ribs at the mouth of the frame	Shen	2023.01.03			CHECKED:		DongGuan Konnra Electronics Co.,Ltd.		
		NEW DWG	Shen	2022.10.31			APPROVED:		PART NO.: C2548RD2xxxxT0101PA		
	MARK	REVISION DESCRIPTION	SIGNATURE	DATE			UNIT:mm	SCALE:1/1	SHEET:1/1	PROJECTION	REV.:B2

RoHS
COMPLIANT



SPECIFICATIONS

1. Current rating: 3.0A AC, DC
2. Voltage rating: 250V AC, DC
3. Temperature range: -40°C ~ +105°C
4. Insulation resistance: 1000MΩ/ min.
5. Withstanding voltage: 1000V AC/ minute.
6. Contact resistance: 20mΩ/ max.

Material:

Insulator: Plastic (PA66)

Contact: BRASS (C2700R-H)

Plating: 1um MIN Matte Tin plated over Nickel

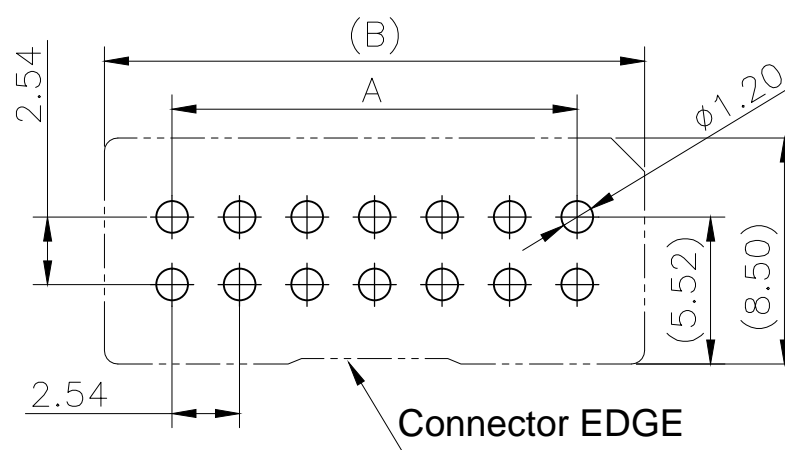
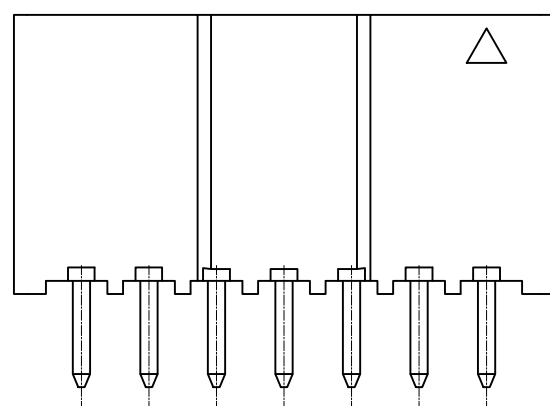
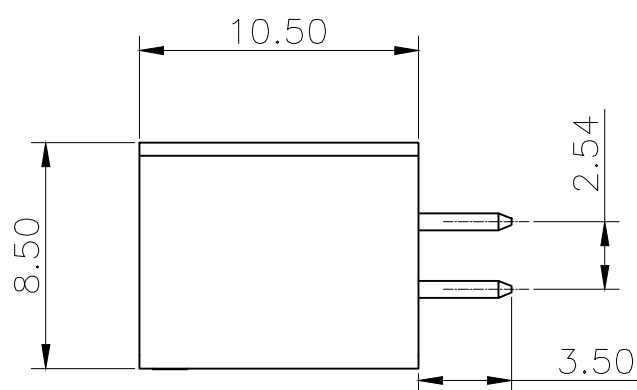
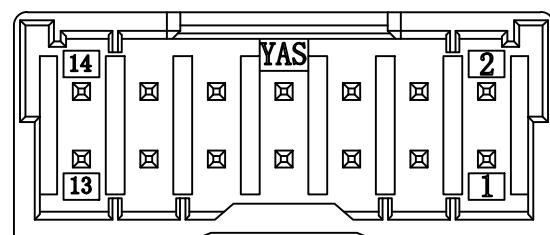
Circuits: SEE TABLE

Mates With KR2548 Series Dual Row Housing

Ordering Code: C2548VD2xx02T0101PA

204=2*4P
205=2*5P

P:BAG
02:PA66 BLACK
01:PA66 WHITE



Recommended P.C.B. Layout
Total tolerance: ±0.05mm

TABLE:

Pin	Dimension		
	A	B	LOGO
2*4P	7.62	12.70	KR
2*5P	10.16	15.24	KR
2*6P	12.70	17.78	KR
2*7P	15.24	20.32	YAS
2*8P	17.78	22.86	KR
2*9P	20.32	25.40	KR
2*10P	22.86	27.94	KR

F		Add anti-dormant ribs at the mouth of the frame	Shen	2023.02.03	TOLERANCE X.X ±0.30 X.XX ±0.20 X.XXX ±0.10 Angle ±2°	TITLE: PH2.54 DUAL ROW DIP 180° WF	DRAWN: Shen 2022.10.31		KONNRA 东莞市康瑞电子有限公司		
		Add anti-dormant ribs at the mouth of the frame	Shen	2023.01.03			CHECKED:		DongGuan Konnra Electronics Co.,Ltd.		
		NEW DWG	Shen	2022.10.31			APPROVED:		PART NO.: C2548VD2xxxxT0101PA		
	MARK	REVISION DESCRIPTION	SIGNATURE	DATE			UNIT:mm	SCALE:1/1	SHEET:1/1	PROJECTION	REV.:B2

RoHS
COMPLIANT

SPECIFICATIONS

1. Current rating: 3.0A AC, DC
2. Voltage rating: 250V AC,DC
3. Temperature range: -40°C ~ +105°C
4. Insulation resistance: 1000MΩ/ min.
5. Withstanding voltage: 1000V AC/ minute.

Material: Plastic(PA66)

Suitable:

KR2548 series terminal(22AWG~26AWG)

Mated with KR2548 series Dual row Wafer

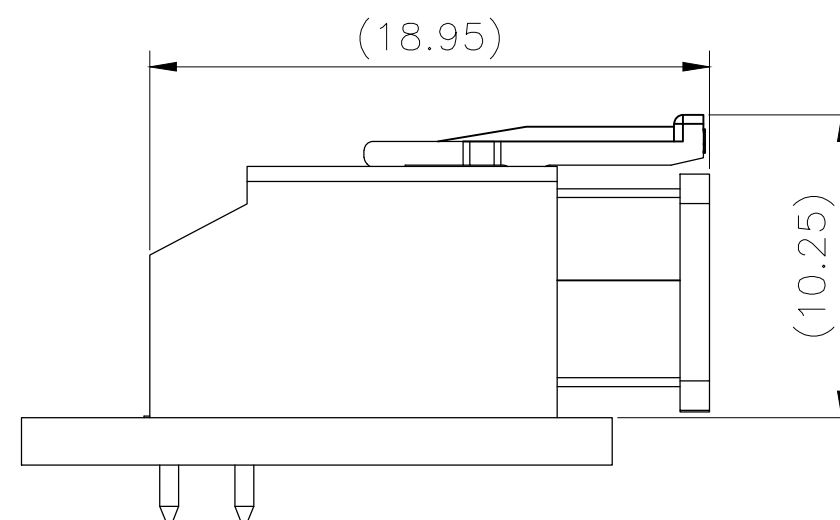
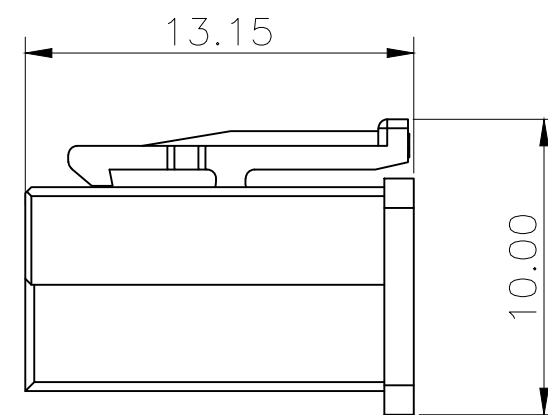
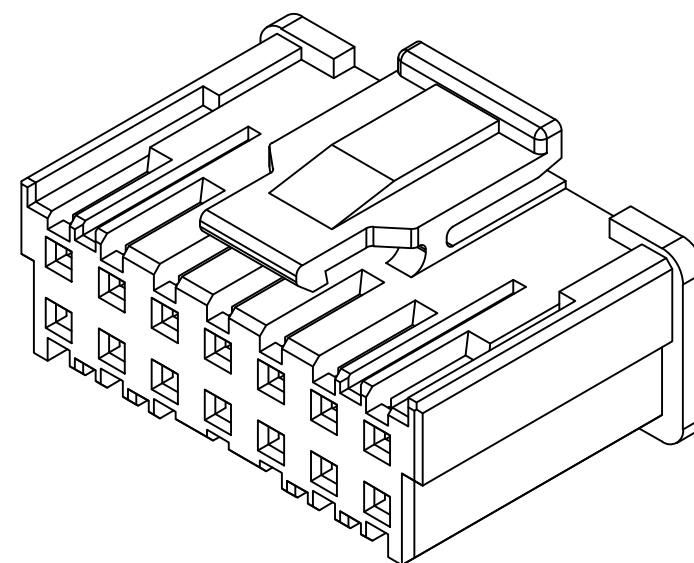
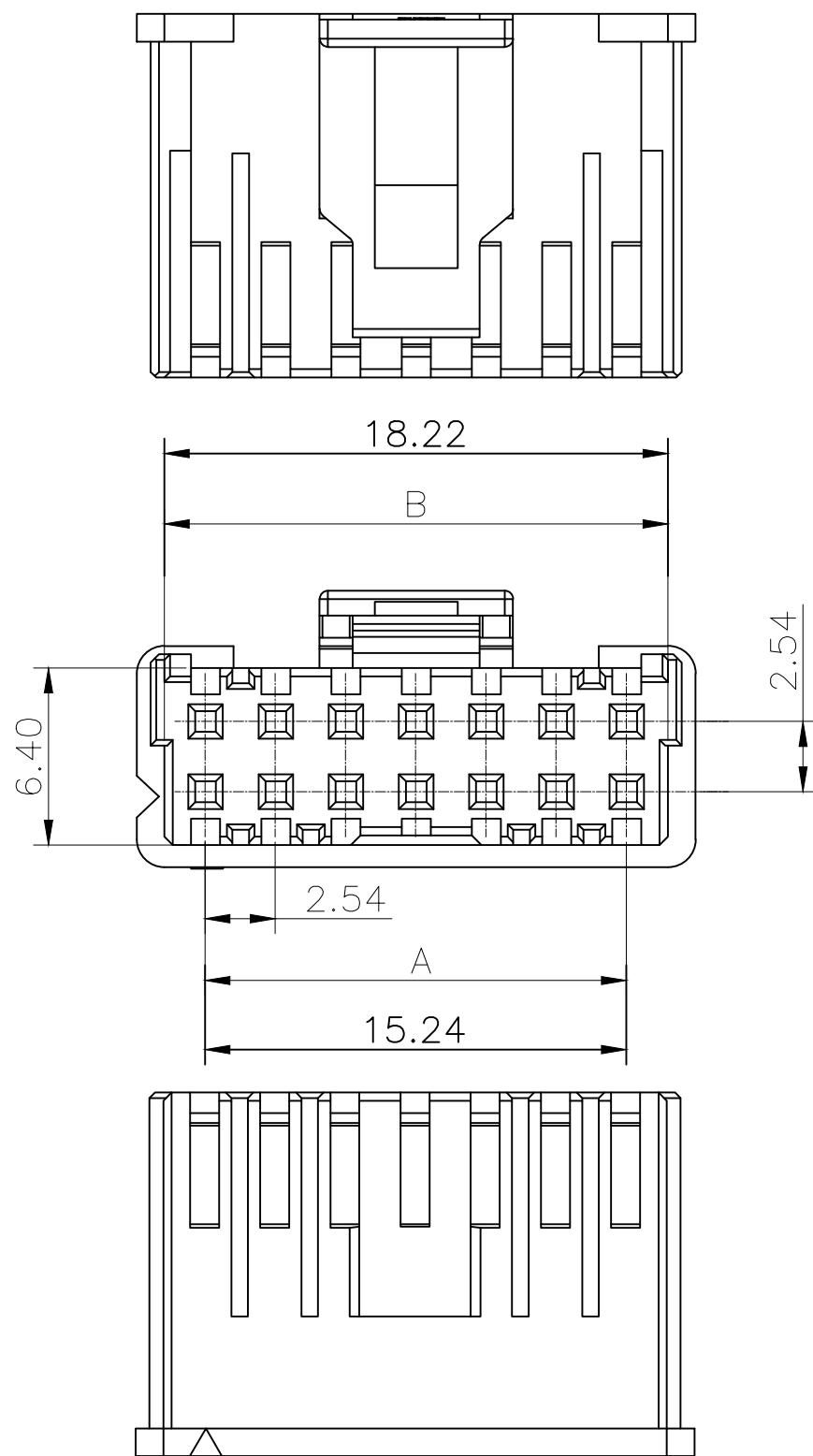
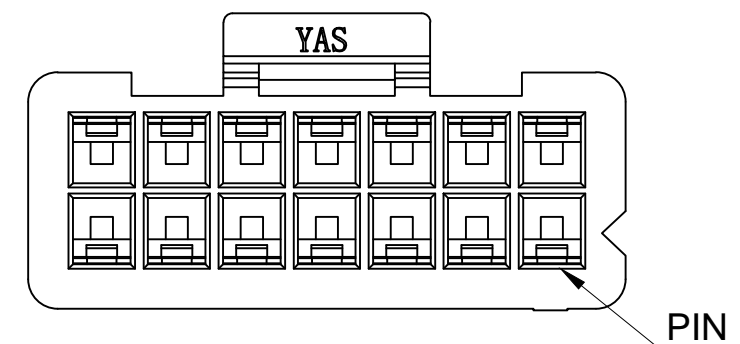
Ordering Code: H254802xx0201A

204=2*4P

205=2*5P

02:PA66 BLACK

01:PA66 WHITE



MATED CONNECTORS

TABLE:

Pin	Dimension		
	A	B	LOGO
2*4P	7.62	10.60	KR
2*5P	10.16	13.14	KR
2*6P	12.70	15.68	KR
2*7P	15.24	18.22	YAS
2*8P	17.78	20.76	KR
2*9P	20.32	23.30	KR
2*10P	22.86	25.84	KR

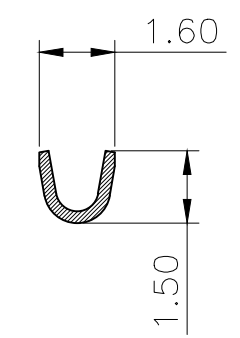
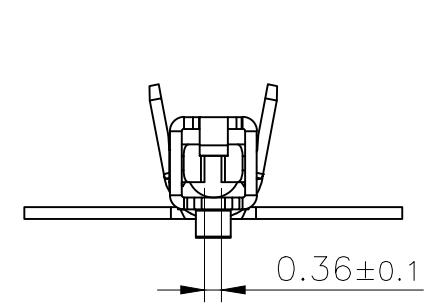
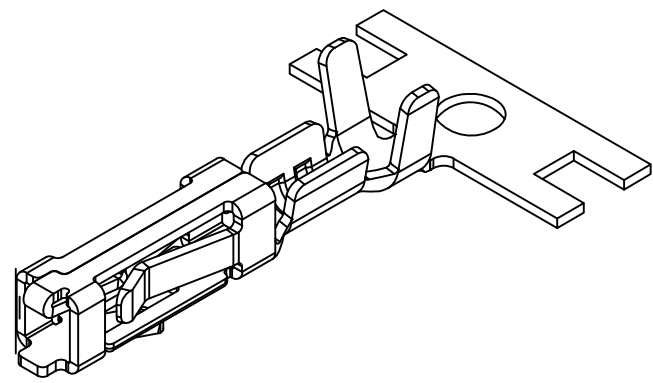
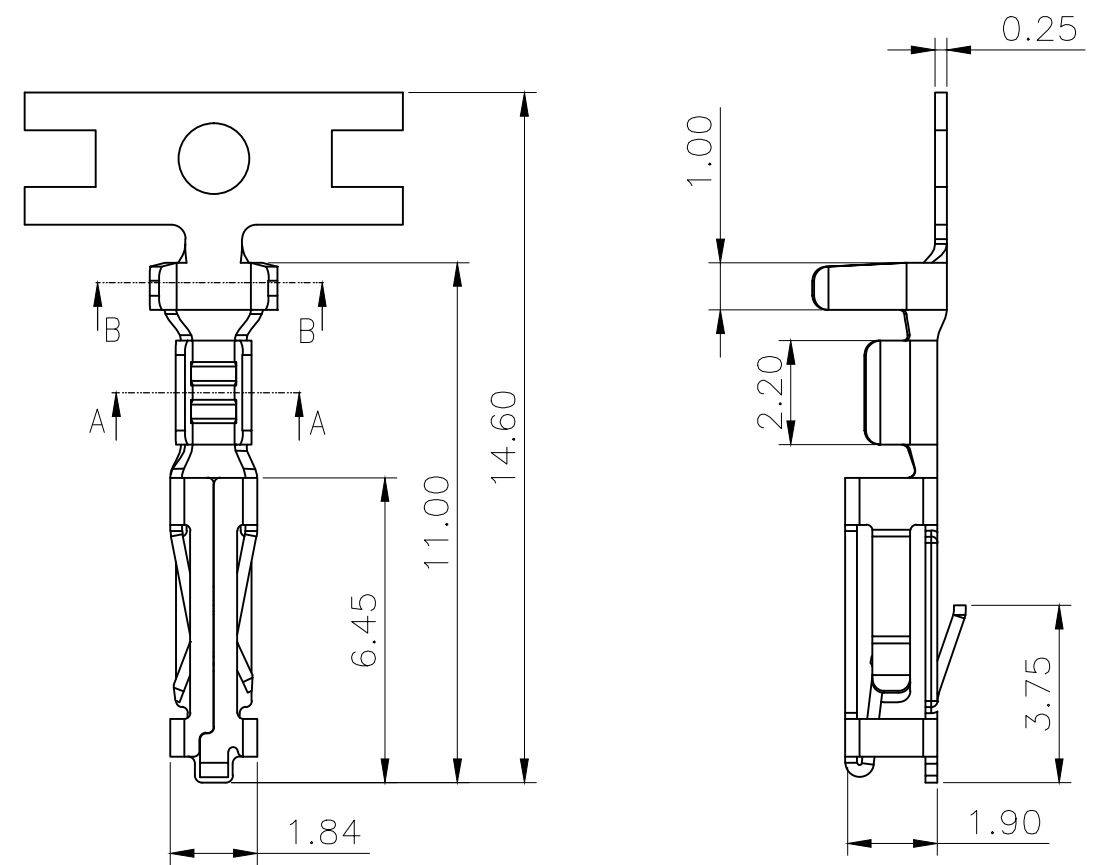
F		Add anti-dormant ribs at the mouth of the frame	Shen	2023.02.03	TOLERANCE X.X ±0.30 X.XX ±0.20 X.XXX ±0.10 Angle ±2°	TITLE: PH2.54 DUAL ROW Housing	DRAWN: <i>Shen 2022.10.31</i>		KONNRA 东莞市康瑞电子有限公司 DongGuan Konnra Electronics Co.,Ltd.
		Add anti-dormant ribs at the mouth of the frame	Shen	2023.01.03					
		NEW DWG	Shen	2022.10.31					
	MARK	REVISION DESCRIPTION	SIGNATURE	DATE					
1	2	3	4	5	6	7	8	9	

RoHS
COMPLIANT

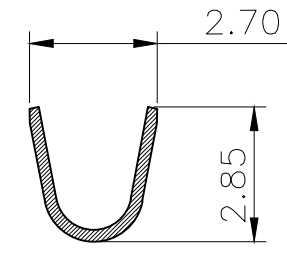
SPECIFICATIONS

1. Current rating: 3A AC, DC(22AWG)
2. Voltage rating: 250V AC,DC
3. Temperature range: -40°C ~ +105°C
4. Insulation resistance: 1000MΩ Min.
5. Withstanding voltage: 1000V AC/ minute.
6. Contact resistance: 20mΩ Max.

Material: Phosphor Bronze(C5191R)
 Plating: Tin plated 80u" MIN and over Nickel
 50u"MIN
 Applicable wire:
 AWG #22~#24
 Insulation O.D.: 1.2 To 1.6mm
 Suitable KR2548 series housing
 Q'ty/reel:10,000PCS



SECTION A-A
SCALE 1:1



SECTION B-B
SCALE 1:1

				TOLERANCE	TITLE: PH2.54 Terminal		DRAWN: Shen 2022.10.31		KONNRA 东莞市康瑞电子有限公司		
A3				X.X ±0.30			CHECKED:		DongGuan Konnra Electronics Co.,Ltd.		
A2		NEW DWG	Shen	X.XX ±0.20			APPROVED:		PART NO.: T2548*****01A		
MARK		REVISION DESCRIPTION	SIGNATURE	X.XXX ±0.10	UNIT:mm SCALE:1/1		SHEET:1/1 PROJECTION		REV.:A1	DRAWING NO.:2548TF101-A-S	
1		2		4		5		7		9	