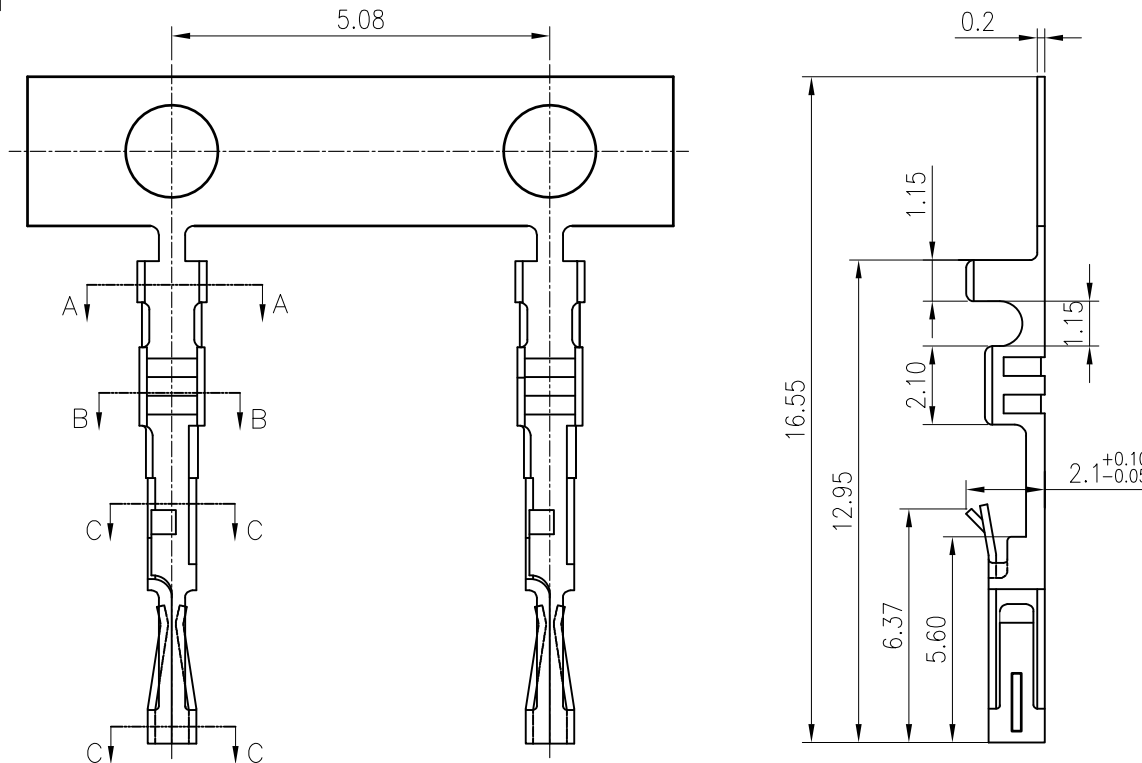


RoHS
COMPLIANT



SPECIFICATIONS

1. Current rating: 3A AC, DC
2. Voltage rating: 250V AC,DC
3. Temperature range: -40°C ~ +105°C
4. Insulation resistance: 1000MΩ Min.
5. Withstanding voltage: 1500V AC/ minute.
6. Contact resistance: 20mΩ Max.

Applicable Wires:

AWG#22~#26

Insulation O.D. : 1.63mm MAX

Material: Phosphor Bronze

Plating: Tin-Plated

Suitable KR2541 series housing

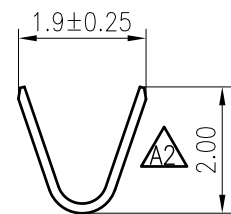
Q'ty/reel: 15,000 PCS

Ordering Code:

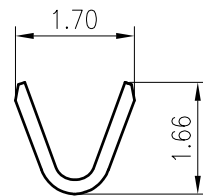
T2541FP *** 01C

T01: Tin plated

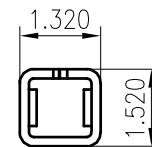
B01: Selective gold flash



SECTION A-A



SECTION B-B



SECTION C-C

| | | | | | | | | | | | | |
|------|----------------------|--------------------------------|-------|-------------|------------|-------------------|------------------------------|--|------------|----------|----------------------------|--|
| F | | | | | TOLERANCE | TITLE: | DRAWN: Liujingtian 2020.5.12 | KONNRA 东莞市康瑞电子有限公司 DongGuan Konnra Electronics Co.,Ltd. | | | | |
| | | | | | X.X ±0.30 | MX2.54 Ultra-thin | CHECKED: | | | | | |
| | | Uniformly arrange the drawings | Arvin | 2021.03.01 | X.XX ±0.20 | Have Buckle Male | APPROVED: | PART NO.: T2541FP***01C | | | | |
| MARK | REVISION DESCRIPTION | SIGNATURE | DATE | X.XXX ±0.10 | Angle ±2° | UNIT:mm | SCALE:N/A | SHEET: 1/1 | PROJECTION | REV.: A2 | DRAWING NO.: 2541TF101-C-S | |