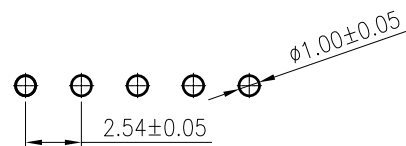
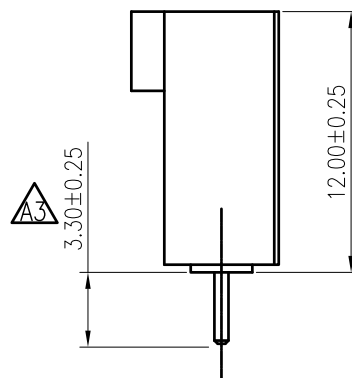
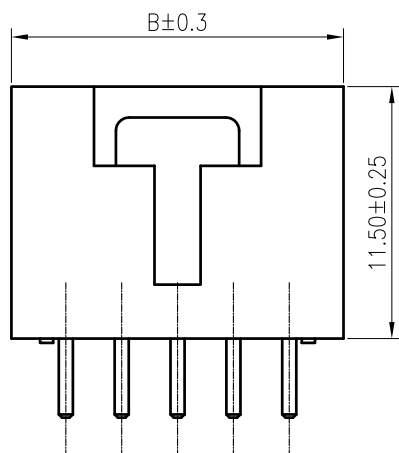
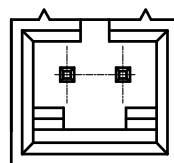
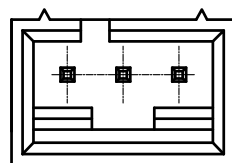
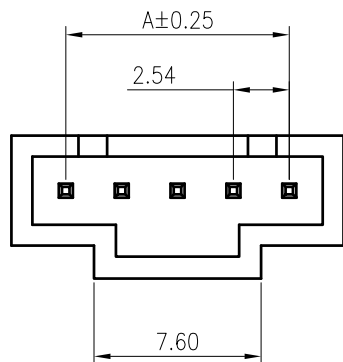


RoHS
COMPLIANT



Recommended P.C.Board Layout

SPECIFICATIONS

1. Current rating: 3A AC, DC
2. Voltage rating: 250V AC,DC
3. Temperature range: -40°C ~ +105°C
4. Insulation resistance: 1000MΩ Min.
5. Withstanding voltage: 1500V AC/ minute.
6. Contact resistance: 20mΩ Max.

Material:

Insulator: PA66 UL 94V-0

Contact: Brass

Plating: Gold flash plated over Nickel
Mate with KR2541 series Housing

Ordering Code:

C2541VD *** 02 G01 01 PA

No. of Circuits
102:2,120:20

Circuits	Dimensions		Circuits	Dimensions	
	A	B		A	B
2	2.54	7.62	12	27.94	33.02
3	5.08	10.16	13	30.48	35.56
4	7.62	12.70	14	33.02	38.10
5	10.16	15.24	15	35.56	40.64
6	12.70	17.78	16	38.10	43.18
7	15.24	20.32	17	40.64	45.72
8	17.78	22.86	18	43.18	48.26
9	20.32	25.40	19	45.72	50.80
10	22.86	27.94	20	48.26	53.34
11	25.40	30.48			

TOLERANCE
X.X ±0.30
X.XX ±0.20
X.XXX ±0.10
Angle ±2°

TITLE:
MX2.54 DIP 180°
Ultra-thin Wafer

DRAWN: Shen 2022.01.13

CHECKED:

APPROVED:

KONNRA 东莞市康瑞电子有限公司
DongGuan Konnra Electronics Co.,Ltd.

PART NO.: C2541VD***02G0101PA

REV.: A4 DRAWING NO.: 2541WVD101-A-S



Uniformly arrange the drawings

Shen 2022.01.13

MARK

REVISION DESCRIPTION

SIGNATURE

DATE

UNIT:mm SCALE:N/A

SHEET: 1/1

PROJECTION

REV.: A4

DRAWING NO.: 2541WVD101-A-S