

RoHS
COMPLIANT

SPECIFICATIONS

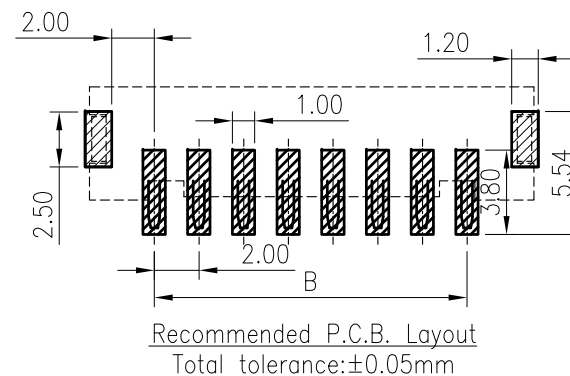
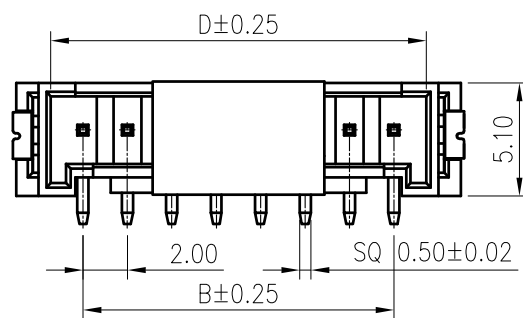
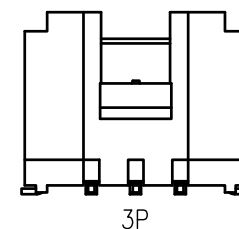
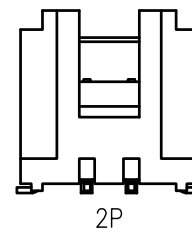
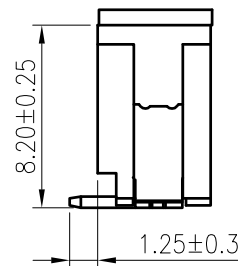
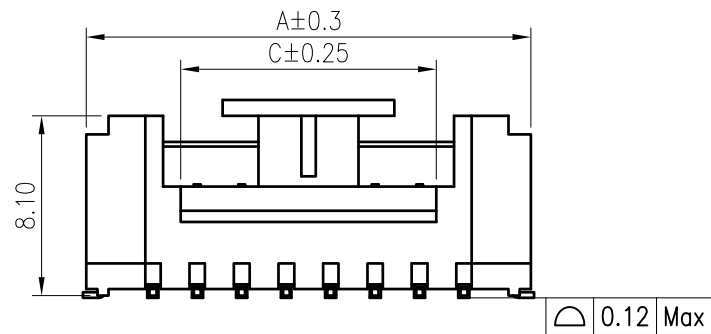
1. Current rating: 2A AC, DC
2. Voltage rating: 250V AC,DC
3. Temperature range: -40°C ~ +105°C
4. Insulation resistance: 1000MΩ Min.
5. Withstanding voltage: 1000V AC/ minute.
6. Contact resistance: 20mΩ Max.

Material:

Insulator: LCP UL94 V-0
 Contact: Brass
 Solder tabs: Phosphor bronze
 Plating: Tin Plated over nickel
 Mate with KR2004 Series Housing

Ordering Code:

C2004VS *** 13 T01 01RC
 No. of Circuits } Plating
 102:02,116:16 } T01: Tin plated
 Insulator Material }
 13:LCP Natural



Circuits	Dimensions			
	A	B	C	D
2	8.00	2.00	2.70	4.90
3	10.00	4.00	2.70	6.90
4	12.00	6.00	3.50	8.90
5	14.00	8.00	5.50	10.90
6	16.00	10.00	7.50	12.90
7	18.00	12.00	9.50	14.90
8	20.00	14.00	11.50	16.90
9	22.00	16.00	13.50	18.90
10	24.00	18.00	15.50	20.90
11	26.00	20.00	15.50	22.90
12	28.00	22.00	15.50	24.90
13	30.00	24.00	15.50	26.90
14	32.00	26.00	15.50	28.90
15	34.00	28.00	15.50	30.90
16	36.00	30.00	15.50	32.90

TOLERANCE
 X.X ±0.30
 X.XX ±0.20
 X.XXX ±0.10
 Angle ±2°

TITLE:
 PH2.0 Have buckle
 SMT 180° Wafer

DRAWN: *Arwin 2021.09.22*
 CHECKED:
 APPROVED:

KONNRA 东莞市康瑞电子有限公司
 DongGuan Konnra Electronics Co.,Ltd.

PART NO.: C2004VS***13T0101RC

MARK REVISION DESCRIPTION SIGNATURE DATE UNIT:mm SCALE:N/A SHEET:1/1 PROJECTION REV.:A2 DRAWING NO.:2004WVS101-C-S

1 2 3 4 5 6 7 8 9