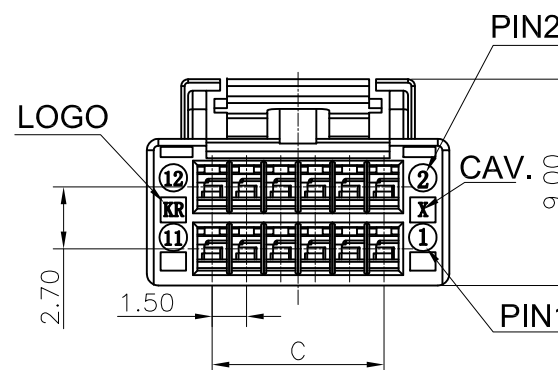
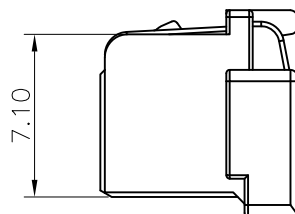
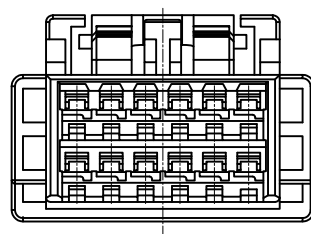
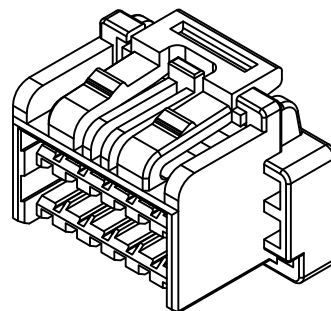
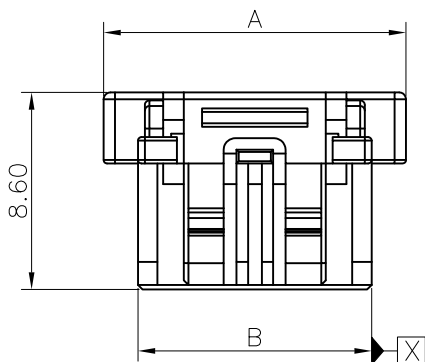


**RoHS**  
COMPLIANT

Material: PBT UL94 V-0  
 Suitable:  
 KR1507 series terminal(24AWG~28AWG)  
 Mate with KR1507 series Dual row Wafer

Ordering Code: H150702xxxx01A

204=2\*4P  
 205=2\*5P



Pin	Dimension		
	A	B	C
2*4P	10.20	7.20	4.50
2*5P	11.70	8.70	6.00
2*6P	13.20	10.20	7.50
2*7P	14.70	11.70	9.00
2*8P	16.20	13.20	10.50
2*9P	17.70	14.70	12.00
2*10P	19.20	16.20	13.50
2*11P	20.70	17.70	15.00
2*12P	22.20	19.20	16.50
2*13P	23.70	20.70	18.00
2*14P	25.20	22.20	19.50
2*15P	26.70	23.70	21.00
2*16P	28.20	25.20	22.50
2*17P	29.70	26.70	24.00
2*18P	31.20	28.20	25.50
2*19P	32.70	29.70	27.00
2*20P	34.20	31.20	28.50

A3			
A2			
A1	NEW DWG	Shen	2022.05.10

TOLERANCE  
 X.X ±0.30  
 X.XX ±0.20  
 X.XXX ±0.10  
 Angle ±2°

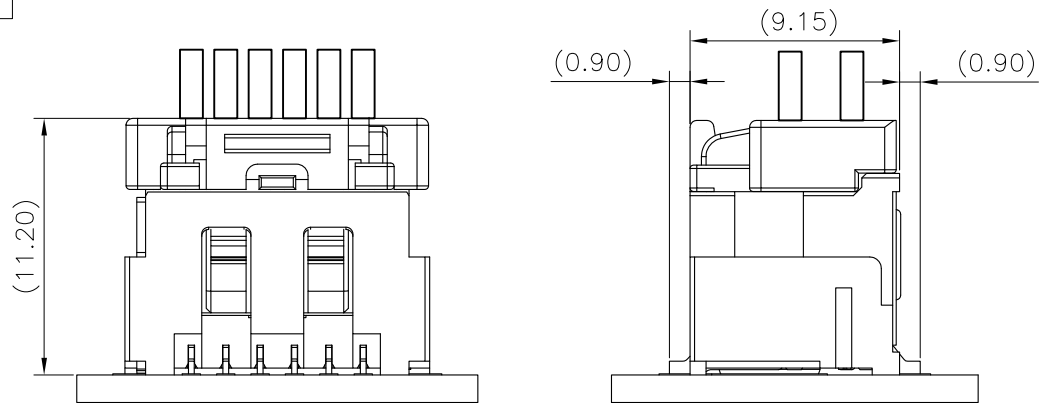
TITLE:  
 MX1.5 INNER BUCKLE  
 DUAL ROW HOUSING

DRAWN: Shen 2022.05.10  
 CHECKED:  
 APPROVED:

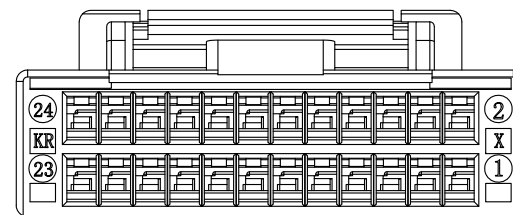
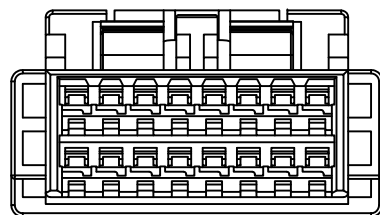
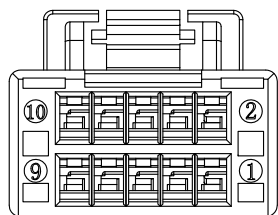
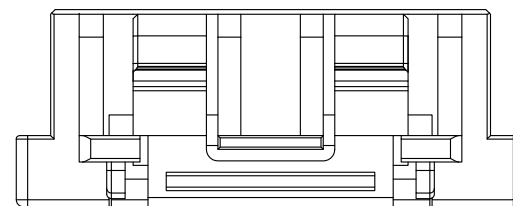
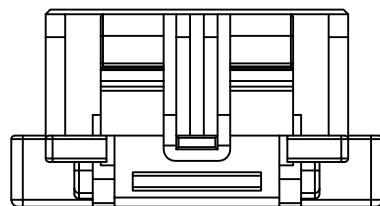
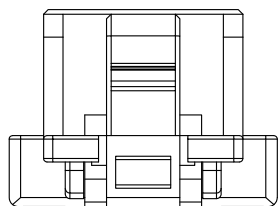
**KONNRA** 东莞市康瑞电子有限公司  
 DongGuan Konnra Electronics Co.,Ltd.  
 PART NO.: H150702xxxx01A

MARK	REVISION DESCRIPTION	SIGNATURE	DATE	UNIT:mm	SCALE:1/1	SHEET:1/2	PROJECTION	REV.:A1	DRAWING NO.:1507H201-A-S
------	----------------------	-----------	------	---------	-----------	-----------	------------	---------	--------------------------

**RoHS**  
COMPLIANT



**MATED CONNECTORS**



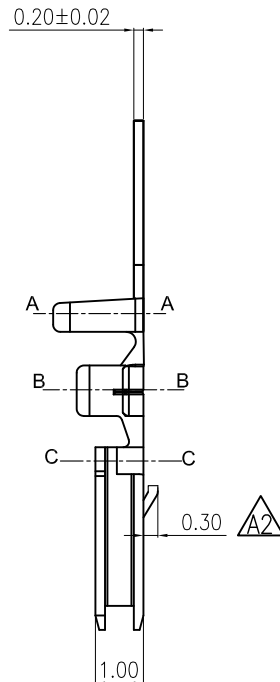
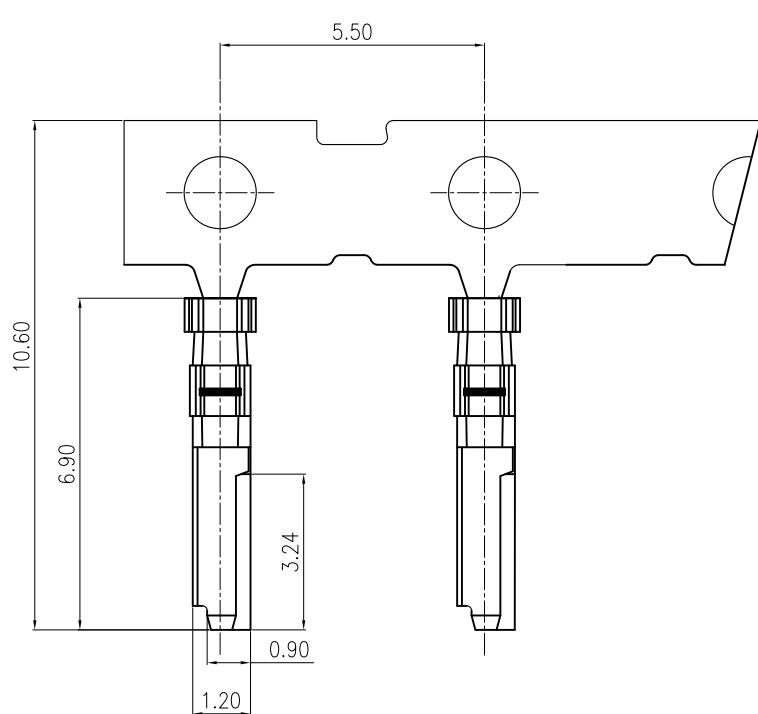
**2x4~2x5PIN**

**2x6~2x9 PIN**

**2x10~2x20PIN**

F					TOLERANCE	TITLE:	DRAWN: Shen 2022.05.10	KONNRA 东莞市康瑞电子有限公司			
					X.X ±0.30	MX1.5 INNER BUCKLE	CHECKED:	DongGuan Konnra Electronics Co.,Ltd.			
		NEW DWG	Shen	2022.05.10	X.XX ±0.20	DUAL ROW HOUSING	APPROVED:	PART NO.:H150702xxxx01A			
	MARK	REVISION DESCRIPTION	SIGNATURE	DATE	X.XXX ±0.10	Angle ±2°	UNIT:mm	SCALE:1/1	SHEET:2/2	PROJECTION	REV.:A1

**RoHS**  
COMPLIANT

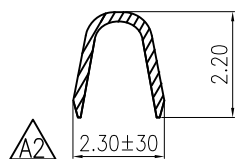


**SPECIFICATIONS**

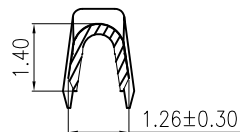
1. Current rating: 3A (AWG #24)AC, DC
2. Voltage rating: 100V AC,DC
3. Temperature range: -40°C ~ +105°C
4. Insulation resistance:500MΩ Min.
5. Withstanding voltage: 500V AC/ minute.
6. Contact resistance: 20mΩ Max.



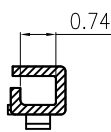
Material: Phosphor Bronze  
 Finish: TIN plated over Nickel  
 Applicable wires: AWG #24~#28  
 Insulation O.D 0.78~1.28 mm  
 Qty/reel: 10,000 PCS



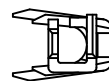
SECTION A-A



SECTION B-B



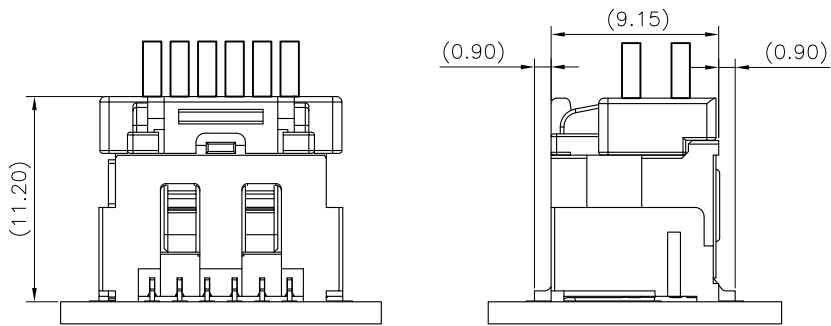
SECTION C-C



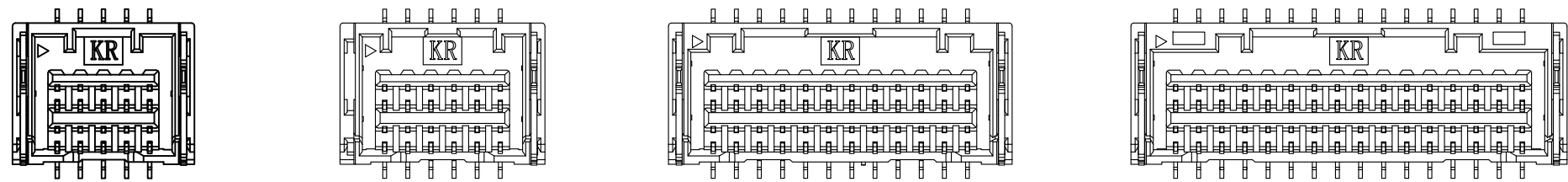
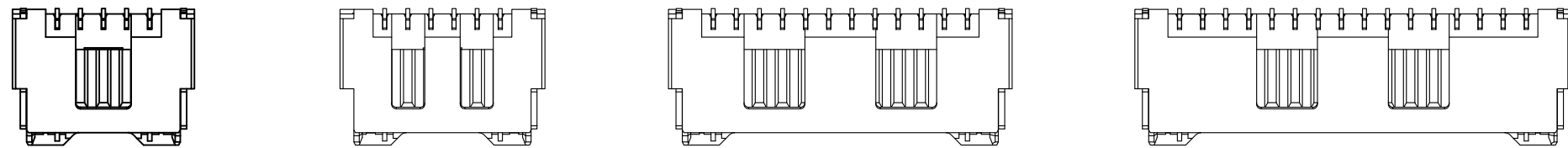
F		Uniformly arrange the drawings	Shen	2021.09.17	TOLERANCE X.X ±0.30 X.XX ±0.20 X.XXX ±0.10 Angle ±3°	TITLE: MX1.5 Inner buckle Terminal	DRAWN: Shen 2021.09.17		KONNRA 东莞市康瑞电子有限公司		
		Change the part number and frame format	Arvin	2020.11.20			CHECKED:		DongGuan Konnra Electronics CO.,LTD		
	LTR	REVISION DESCRIPTION	SIGNATURE	DATE			APPROVED:		PART NO.: T15070PT0101A		
	1	2	3	4	UNIT:mm	SCALE:1/1	SHEET:1/1	PROJECTION	VER.:A3	DRAWING NO.:1507T101-A-S	
	1	2	3	4	5	6	7	8	9		



**RoHS**  
COMPLIANT



MATED CONNECTORS



2x4~2x5PIN

2x6~2x9PIN

2x10~2x15PIN

2x16~2x20PIN

F					TOLERANCE	TITLE:	DRAWN: Shen 2022.05.10	KONNRA 东莞市康瑞电子有限公司 DongGuan Konnra Electronics Co.,Ltd.			
					X.X ±0.30	MX1.5 INNER BUCKLE	CHECKED:				
		NEW DWG	Shen	2022.05.10	X.XX ±0.20	DUAL ROW SMT 180°	APPROVED:	PART NO.: C1507VS2xx11M0101RA			
	MARK	REVISION DESCRIPTION	SIGNATURE	DATE	X.XXX ±0.10	WF	UNIT:mm	SCALE:1/1	SHEET:2/2	PROJECTION	REV.:A1
	1	2	3	4	5	6	7	8	9		

**RoHS**  
COMPLIANT

**SPECIFICATIONS**

1. Current rating: 1.5A AC, DC
2. Voltage rating: 100V AC, DC
3. Temperature range: -40°C ~ +105°C
4. Insulation resistance: 100MΩ/ min.
5. Withstanding voltage: 500V AC/ minute.
6. Contact resistance: 20mΩ/ max.

**Material:**

Insulator: PA9T UL 94V-0

Contact: Copper alloy

Nail: Copper alloy

Plating: 1um MIN Matte Tin plated over Nickel

Circuits: 2\*4~2\*20

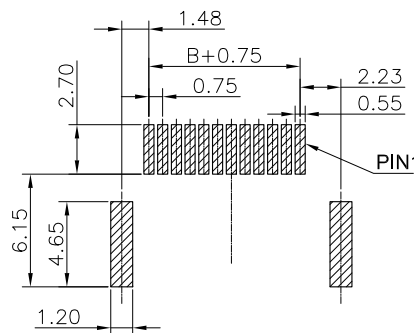
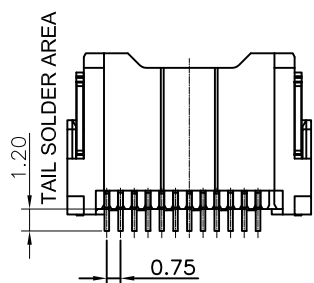
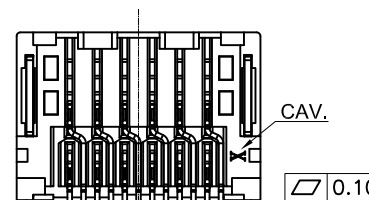
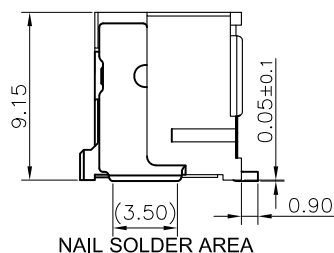
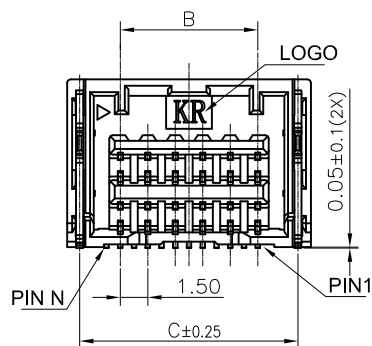
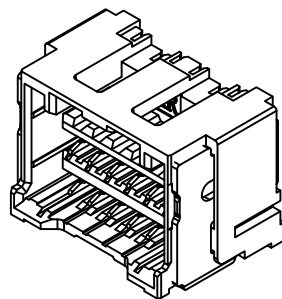
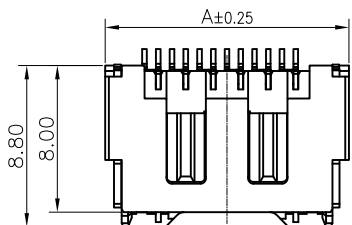
Mates With KR1507 Series Dual Row Housing

Ordering Code: C1507RS2xx11M0101RA

204=2\*4P

205=2\*5P

R:REEL

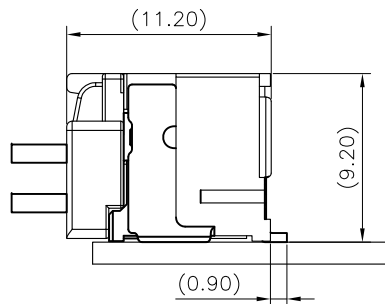


Recommended P.C.B. Layout  
Total tolerance: ±0.05mm

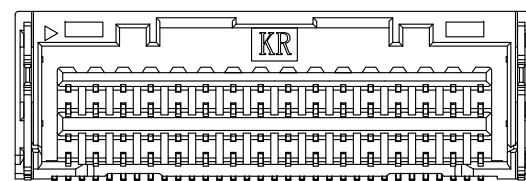
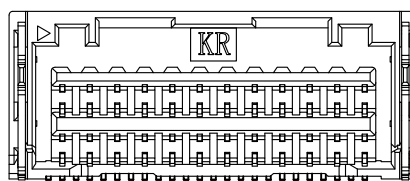
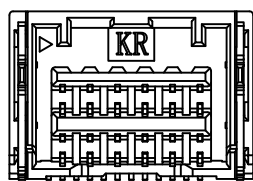
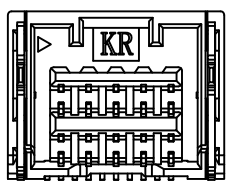
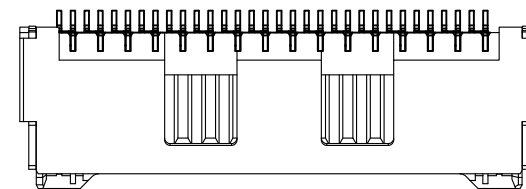
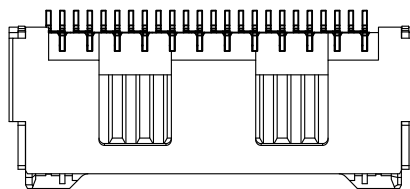
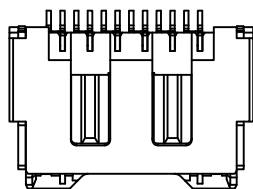
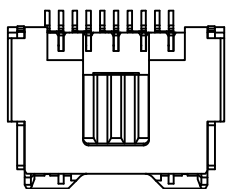
Pin	Dimension		
	A	B	C
2*4P	10.30	4.50	8.93
2*5P	11.80	6.00	10.43
2*6P	13.30	7.50	11.93
2*7P	14.80	9.00	13.43
2*8P	16.30	10.50	14.93
2*9P	17.80	12.00	16.43
2*10P	19.30	13.50	17.93
2*11P	20.80	15.00	19.43
2*12P	22.30	16.50	20.93
2*13P	23.80	18.00	22.43
2*14P	25.30	19.50	23.93
2*15P	26.80	21.00	25.43
2*16P	28.30	22.50	26.93
2*17P	29.80	24.00	28.43
2*18P	31.30	25.50	29.93
2*19P	32.80	28.00	31.43
2*20P	34.30	28.50	32.93

F	A3				TOLERANCE	TITLE:	DRAWN: Shen 2022.05.10	KONNRA 东莞市康瑞电子有限公司 DongGuan Konnra Electronics Co.,Ltd.			
	A2				X.X ±0.30	MX1.5 INNER BUCKLE	CHECKED:				
	A1	NEW DWG	Shen	2022.05.10	X.XX ±0.20	DUAL ROW SMT 90°	APPROVED:	PART NO.: C1507RS2xx11M0101RA			
	MARK	REVISION DESCRIPTION	SIGNATURE	DATE	X.XXX ±0.10	WF	UNIT:mm	SCALE: 1/1	SHEET: 1/2	PROJECTION	REV.: A1
	1	2	3	4	5	6	7	8	9		

**RoHS**  
COMPLIANT



MATED CONNECTORS



2x4~2x5PIN

2x6~2x9PIN

2x10~2x15PIN

2x16~2x20PIN



MARK

NEW DWG

REVISION DESCRIPTION

Shen

SIGNATURE

2022.05.10

DATE

TOLERANCE

X.X ±0.30

X.XX ±0.20

X.XXX ±0.10

Angle ±2°

TITLE:

MX1.5 INNER BUCKLE

DUAL ROW SMT 90°

WF

UNIT:mm

SCALE:1/1

DRAWN: Shen 2022.05.10

CHECKED:

APPROVED:

SHEET:2/2

PROJECTION

**KONNRA** 东莞市康瑞电子有限公司  
DongGuan Konnra Electronics Co.,Ltd.

PART NO.:C1507RS2xx11M0101RA

REV.:A1

DRAWING NO.:1507WRS201-A-S

1

2

3

4

5

6

7

8

9