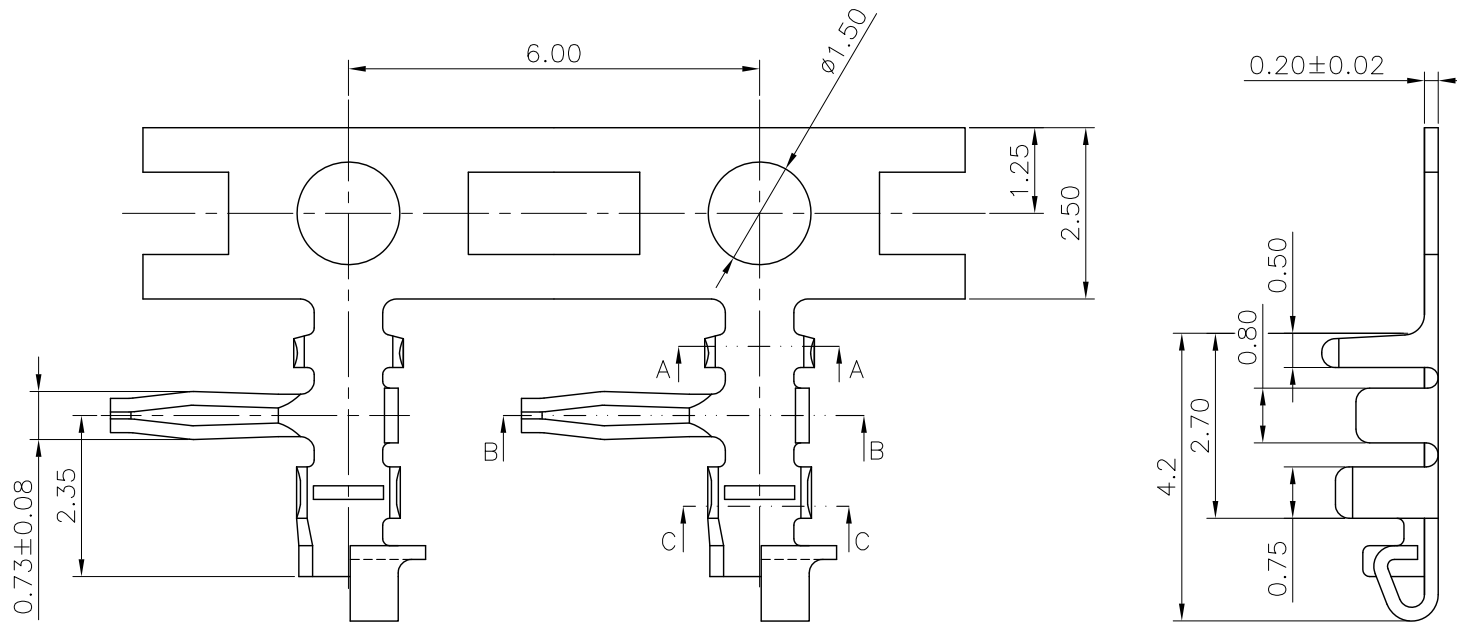


**RoHS**  
COMPLIANT



◆SPECIFICATIONS

- Current rating: 1A AC, DC
- Voltage rating: 200V AC,DC
- Temperature range: -40°C ~ +105°C
- Insulation resistance: 500MΩ Min.
- Withstanding voltage: 500V AC/ minute.
- Contact resistance: 20mΩ Max.

Material: Brass

Finish: Tin Plated

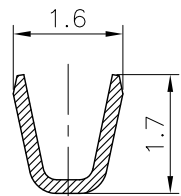
Applicable wires:

Conductor size: AWG #28~#30

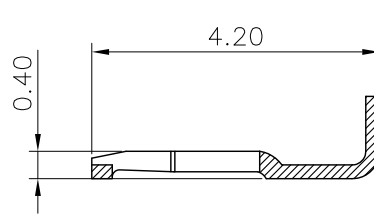
Insulation O.D.: 1.0mm Max.

Suitable: KR1502 series Housing

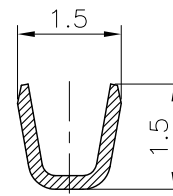
Qty/reel:10,000PCS



SECTION:A-A



SECTION:B-B



SECTION:C-C

F				TOLERANCE	TITLE: SZN1.5 90° Terminal	DRAWN: Shen 2021.09.14		KONNRA 东莞市康瑞电子有限公司 DongGuan Konnra Electronics Co.,Ltd.		
		Uniformly arrange the drawings	Shen	2021.09.14		CHECKED:				
		Change the part number and frame format	TLX	2020.05.14		APPROVED:		PART NO.:T1502RBT0101A		
	MARK	REVISION DESCRIPTION	SIGNATURE	DATE		Angle ±1°	UNIT:mm	SCALE:1/1	SHEET:1/1	PROJECTION