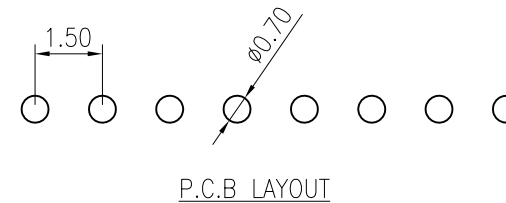
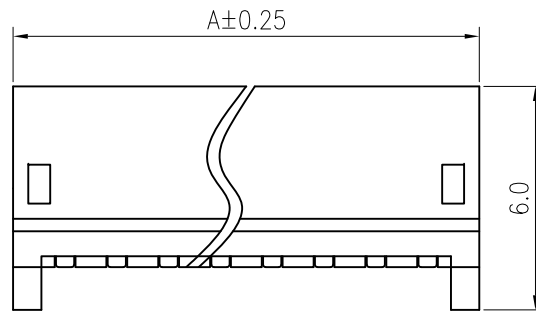
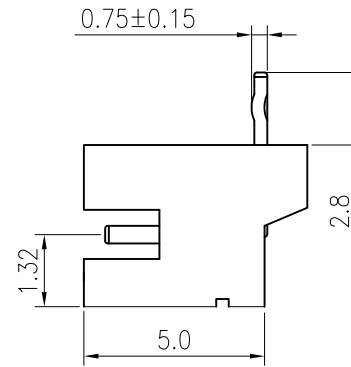
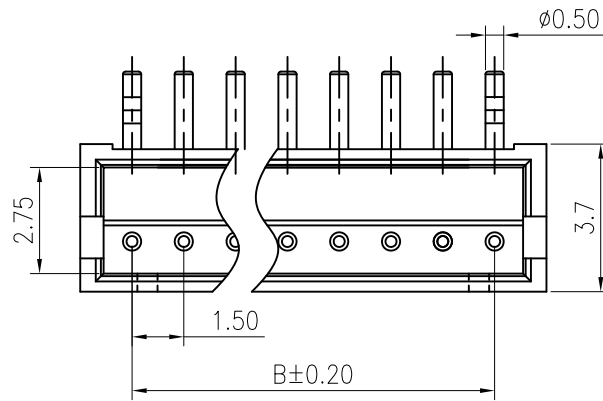


RoHS
COMPLIANT



◆ SPECIFICATIONS

- Current rating: 1A AC, DC
- Voltage rating: 100V AC, DC
- Temperature range: -40°C ~ +105°C
- Insulation resistance: 500MΩ Min.
- Withstanding voltage: 500V AC/ minute.
- Contact resistance: 20mΩ Max.

Material:

Insulator: PA66 or PA46 UL 94V-0

Contact: Brass

Plating: Tin plated over Nickel

Mates with KR1501 series housing

C1501RD *** 19 T01 01PA

02: 2P

03: 3P...

19: PA66 Grey

07: PA46 Natural

T01: Bright Tin

Pin NO.	A	B
2P	4.50	1.50
3P	6.00	3.00
4P	7.50	4.50
5P	9.00	6.00
6P	10.50	7.50
7P	12.00	9.00
8P	13.50	10.50
9P	15.00	12.00
10P	16.50	13.50
11P	18.00	15.00
12P	19.50	16.50
13P	21.00	18.00

MARK	REVISION DESCRIPTION	SIGNATURE	DATE	TOLERANCE	TITLE:	DRAWN:	REV.:	DRAWING NO.:
	Uniformly arrange the drawings	Shen	2021.9.22	X.X ±0.30	ZH1.5 DIP 90° Wafer Strike K	Shen 2021.09.22	A4	PART NO.: C1501RD1**19T0101PA DRAWING NO.: 1501WHD101-A-S
	Change the part number and frame format	Ru yi	2020.3.10	X.XX ±0.20		CHECKED:	A4	
				X.XXX ±0.10		APPROVED:	A4	
				Angle ±2°	UNIT:mm	SCALE: 1/1	SHEET: 1/1	PROJECTION

KONNRA 东莞市康瑞电子有限公司
DongGuan Konnra Electronics Co.,Ltd.

REV.: A4
DRAWING NO.: 1501WHD101-A-S