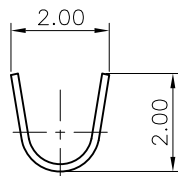
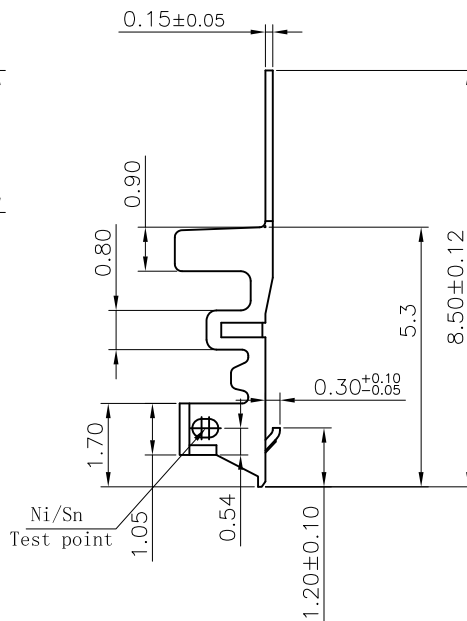
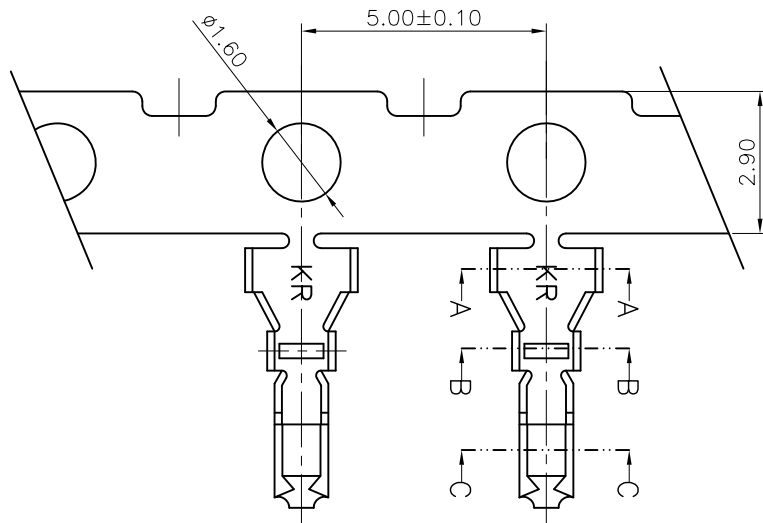
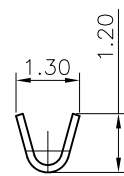


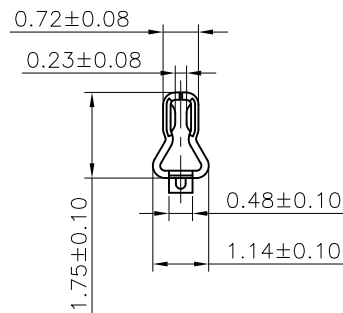
RoHS
COMPLIANT



A-A SECTION



B-B SECTION



C-C SECTION

◆ SPECIFICATIONS

- Current rating: 2.5A AC, DC
- Voltage rating: 250V AC, DC
- Temperature range: -40°C ~ +105°C
- Insulation resistance: 1000MΩ Min.
- Withstanding voltage: 500V AC/ minute.
- Contact resistance: 20mΩ Max.

Material: Phosphor Bronze

Finish: Spec1: Tin-plated over Nickel
spec2: Gold-plated over Nickel

Applicable Wires:

AWG#24~#28

Insulation O.D. : 0.70~1.10mm MAX

Suitable 1500 series Series Housing

Q'ty/reel: 15,000PCS

10. Ordering Code: T15000P***01A

└ S00:Material
T01:Bright Tin
G01:Au 0.8u"



Changed packing

zsz

2021.12.31

TOLERANCE

X.X ±0.30

X.XX ±0.20

X.XXX ±0.10

Angle ±2°

UNIT:mm

SCALE:1/1

DRAWN: Shen 2021.09.28

CHECKED:

APPROVED:

SHEET:1/1

PROJECTION

KONNRA 东莞市康瑞电子有限公司

DongGuan Konnra Electronics Co.,Ltd.

PART NO.:T15000P***01A

REV.:A4 DRAWING NO.:1500T01-A-S

MARK

REVISION DESCRIPTION

SIGNATURE

DATE

UNIT:mm

SCALE:1/1

SHEET:1/1

PROJECTION

REV.:A4

DRAWING NO.:1500T01-A-S

1

2

3

4

5

6

7

8

9