

RoHS
COMPLIANT

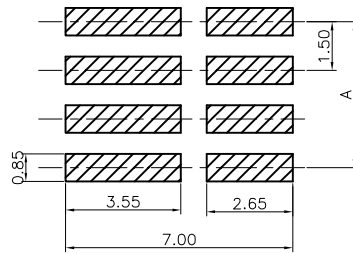
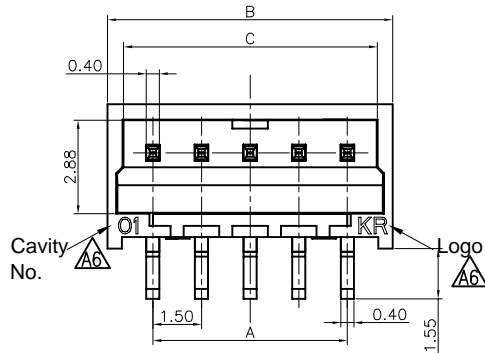
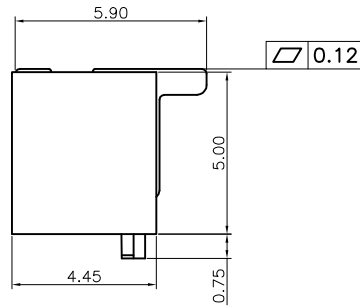
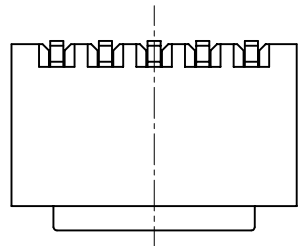
◆ SPECIFICATIONS

- Current rating: 2.5A AC, DC
- Voltage rating: 250V AC, DC
- Temperature range: -40°C ~ +105°C
- Insulation resistance: 1000MΩ Min.
- Withstanding voltage: 500V AC/ minute.
- Contact resistance: 20mΩ Max.

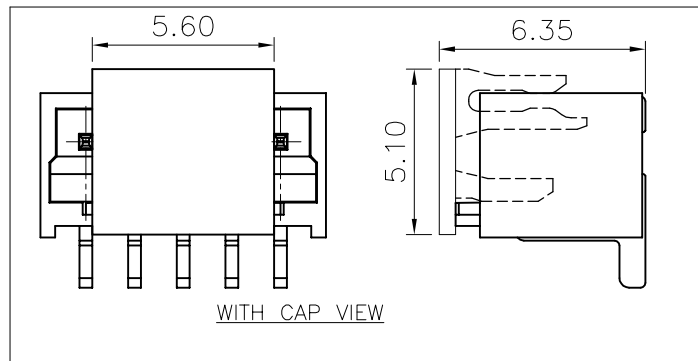
Material:

Insulator: LCP UL 94V-0
Contact: Brass
Plating: Tin plated over Nickel
Suitable: KR1500 series Housing

C1500VS ***13M0101RA
102: 2P
115: 15P
13: LCP NATURAL
M01: MITTE TIN
G01: G/F



P.C.Board Layout



Dimensions			
Pin	A	B	C
2P	1.50	4.30	3.35
3P	3.00	5.80	4.85
4P	4.50	7.30	6.35
5P	6.00	8.80	7.85
6P	7.50	10.30	9.35
7P	9.00	11.80	10.85
8P	10.50	13.30	12.35
9P	12.00	14.80	13.85
10P	13.50	16.30	15.35
11P	15.00	17.80	16.85
12P	16.50	19.30	18.35
13P	18.00	20.80	19.85
14P	19.50	22.30	21.35
15P	21.00	23.80	22.85

F		Uniform identification and cavity number locations	Arvin	2022.05.30	TOLERANCE X.X ±0.30 X.XX ±0.20 X.XXX ±0.10 Angle ±2°	TITLE: MK1.5 SMT 180° Wafer	DRAWN: ru yi 2020.03.10		KONNRA 东莞市康瑞电子有限公司 DongGuan Konnra Electronics Co., Ltd.	
		Uniformly arrange the drawings	Shen	2022.03.15			CHECKED:			
MARK		REVISION DESCRIPTION	SIGNATURE	DATE	UNIT: mm	SCALE: N/A	SHEET: 1/1	PROJECTION	REV.: A6	DRAWING NO.: 1500WS01-A-S
1	2	3	4	5	6	7	8	9		