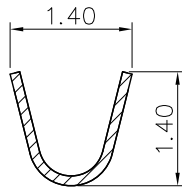
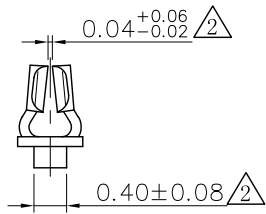
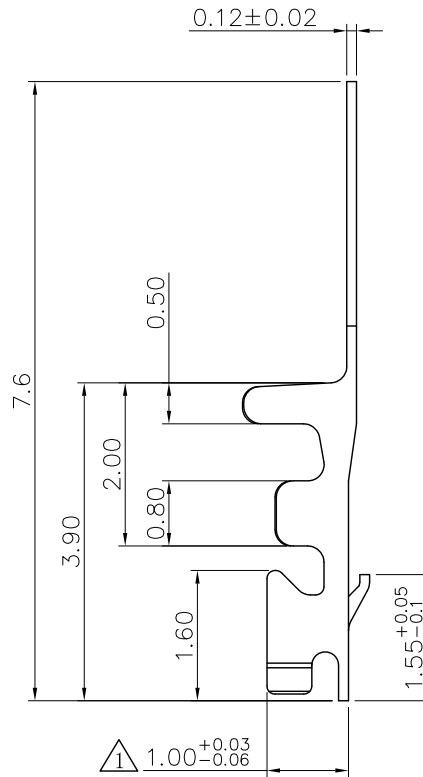
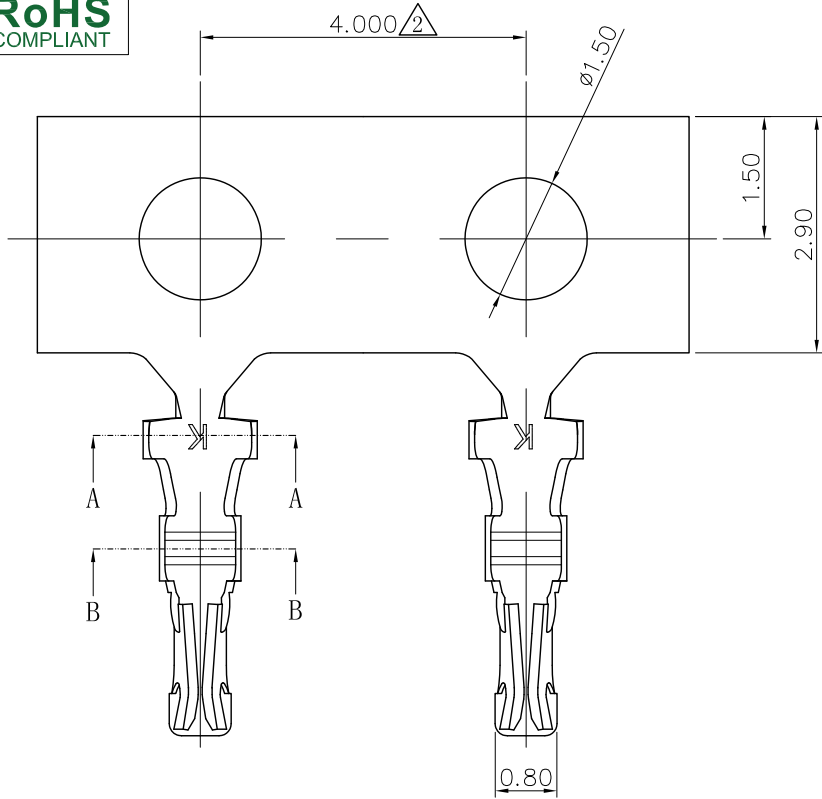
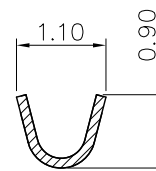


RoHS
COMPLIANT



SECTION A-A



SECTION B-B

◆ SPECIFICATIONS

- Current rating: 1A AC, DC
- Voltage rating: 50V AC, DC
- Temperature range: -40°C ~ +105°C
- Insulation resistance: 100MΩ Min.
- Withstanding voltage: 500V AC/ minute.
- Contact resistance: 20mΩ Max.

Material: Phosphor Bronze

Finish: Tin Plated or gold plated over Nickel

Applicable wires: AWG #28~#32

Insulation O.D 0.4 to 0.8mm

Suitable: KR1000 series Housing

Qty/reel: 20,000PCS

Ordering Code:

T10050P T01 01A

Plating

T01: Tin plated

F	MARK	△A4	Uniformly arrange the drawings	Shen	2021.08.25	TOLERANCE X.X ±0.3 X.XX ±0.2 X.XXX ±0.1 Angle ±2°	TITLE: SHU1.0 Terminal	DRAWN: TLX 2021.08.25		KONNRA 东莞市康瑞电子有限公司			
		△A3	Change the part number and frame format	TLX	2020.04.21			CHECKED: Shen 2021.08.25		DongGuan Konnra Electronics Co.,Ltd.			
		REVISION DESCRIPTION		SIGNATURE	DATE			APPROVED:		PART NO.: T10050PT0101A			
		1	2	3	4			UNIT:mm	SCALE: 1/1	SHEET: 1/1	PROJECTION	REV.: A4	DRAWING NO.: 1005T101-A-S