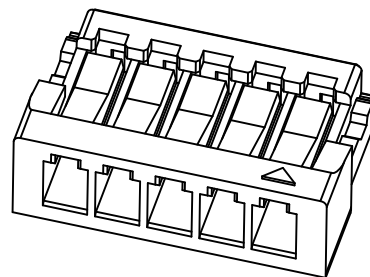
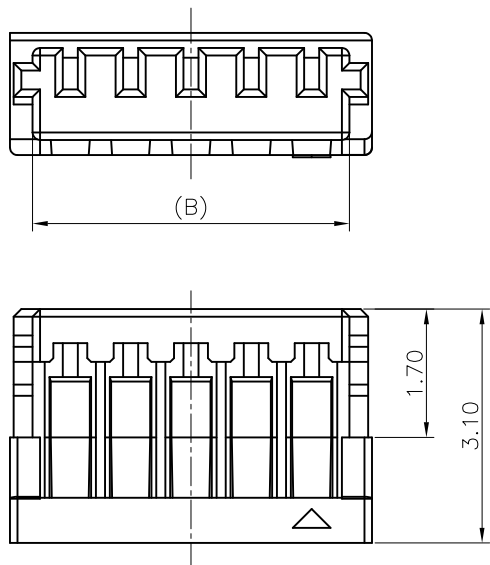
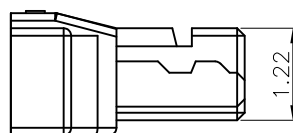


RoHS  
COMPLIANT



3D View



◆ SPECIFICATIONS

- Current rating: 0.5A AC, DC
- Voltage rating: 30V AC, DC
- Temperature range: -40°C ~ +105°C
- Insulation resistance: 100MΩ Min.
- Withstanding voltage: 200V AC/ minute.
- Contact resistance: 20mΩ Max.

Material:

Insulator: Nylon 46 UL 94V-0  
Suitable: KR0800Series Single Row Wafer

Ordering Code:

H08030 102 07 02A

No. of Circuits  
102:2, 120:20

Insulator Material  
07:PA46 Natural

Dimensions				Dimensions			
Pin	A	B	C	Pin	A	B	C
2P	0.80	1.80	2.40	12P	8.80	9.80	10.40
3P	1.60	2.60	3.20	13P	9.60	10.60	11.20
4P	2.40	3.40	4.00	14P	10.40	11.40	12.00
5P	3.20	4.20	4.80	15P	11.20	12.20	12.80
6P	4.00	5.00	5.60	16P	12.00	13.00	13.60
7P	4.80	5.80	6.40	17P	12.80	13.80	14.40
8P	5.60	6.60	7.20	18P	13.60	14.60	15.20
9P	6.40	7.40	8.00	19P	14.40	15.40	16.00
10P	7.20	8.20	8.80	20P	15.20	16.20	16.80
11P	8.00	9.00	9.60				

MARK	REVISION	DESCRIPTION	SIGNATURE	DATE
A4				
A3		Uniformly arrange the drawings	Shen	2021.09.23
A2		Change the part number and frame format	TLX	2020.01.10

TOLERANCE	TITLE:
X.X ±0.30	0.8mm Crimp
X.XX ±0.20	Housing No ear
X.XXX ±0.10	
Angle ±2°	
UNIT:mm	SCALE:1/1

DRAWN: Shen 2021.09.23
CHECKED:
APPROVED:
SHEET:1/1
PROJECTION

KONNRA 东莞市康瑞电子有限公司	
DongGuan Konnra Electronics Co.,Ltd.	
PART NO.:H080301**0702A	
REV.:A3	DRAWING NO.:0803H102-A-S